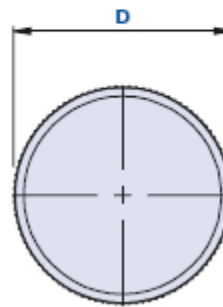
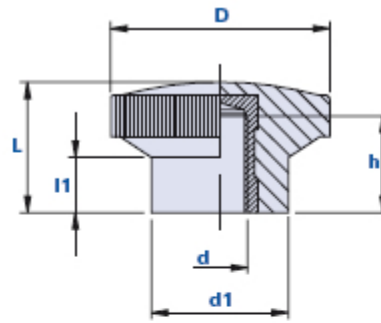


200L



Knurled grip knob with blind threaded bush



Code	Description	Dimensions				Insert		Weight grams	Stock
		D	L	d1	l1	d	h		
01200L1B	200L1/24 M5	24	17,5	13	8,5	M5	9	8	√
01200L2C	200L2/24 M6	24	17,5	13	8,5	M6	9	9	√
01200L3D	200L3/24 M8	24	17,5	13	8,5	M8	9	10	-
01200L4C	200L4/33 M6	32	19	20	8	M6	14	16	√
01200L5D	200L5/33 M8	32	19	20	8	M8	14	16	√
01200L6E	200L6/33 M10	32	19	20	8	M10	14	17	-

Material

High resistance phenolyc-based (PF) duroplast.

Resistant to organic and inorganic chemical substances such as oils, greases, fuels and solvents.

Colour

Black with shiny finish.

Insert

Brass.

Package

25 - 50 - 100 pcs.