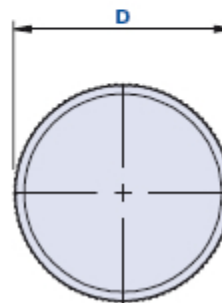
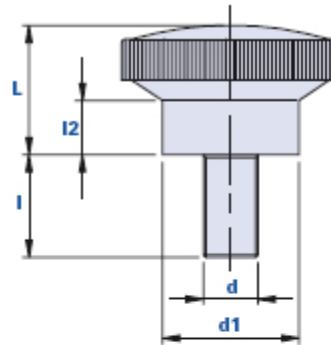


Knurled grip knob with threaded pin



Code	Description	Dimensions				Insert		Weight grams	Stock
		D	L	d1	l2	d	l		
01200M1B15	200M1/24 M5x15	24	17,5	13	8,5	M5	15	10	-
01200M2C15	200M2/24 M6x15	24	17,5	13	8,5	M6	15	12	√
01200M2C40	200M2/24 M6x40	24	17,5	13	8,5	M6	40	20	-
01200M3C20	200M3/33 M6x20	32	19	20	8	M6	20	20	-
01200M4D20	200M4/33 M8x20	32	19	20	8	M8	20	28	-

Material

High resistance phenolyc-based (PF) duroplast.

Resistant to organic and inorganic chemical substances such as oils, greases, fuels and solvents.

Colour

Black with shiny finish.

Insert

Galvanized steel.

Package

25 - 50 - 100 pcs.