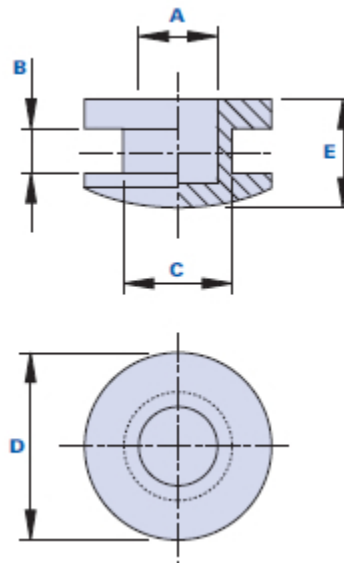


3002



Closed hole cables-holder



Code	Description	Dimensions					Weight grams	Stock
		A	B	C	D	E		
300200001100	3002 D.19 A=8	8	4,5	11	19	10	2	√

Material

Polyvinylchloride-based (PVC) technopolymer. Resistant to organic and inorganic chemical substances such as oils, greases, fuels and solvents.

Colour

Black. Other colours for suitable quantities.

Package

100 - 200 - 500 pcs.