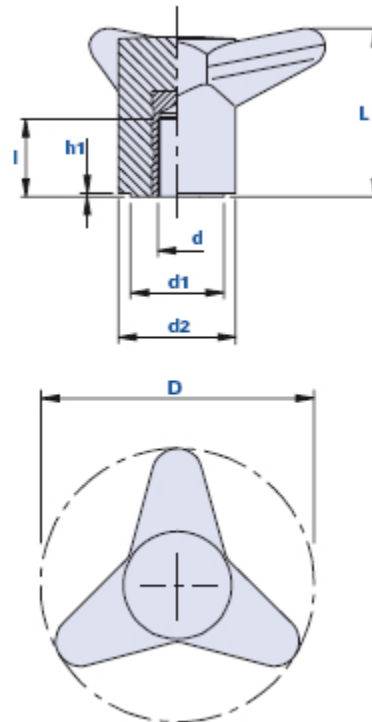


# 300S



## 3-arm knob with blind threaded bush



Code	Description	Dimensions					Insert		Weight grams	Stock
		D	L	d2	d1	h1	d	l		
01300S7	300S7/D.76 M8	76	43,5	30	24	1	M8	20	63	√
01300S8	300S8/D.76 M10	76	43,5	30	24	1	M10	20	65	√
01300S9	300S9/D.76 M12	76	43,5	30	24	1	M12	20	65	√

### Material

High resistance phenolc-based (PF) duroplast. Resistant to organic and inorganic chemical substances such as oils, greases, fuels and solvents.

### Colour

Black with shiny finish.

### Insert

Brass.

### Package

10 - 25 - 50 pcs.