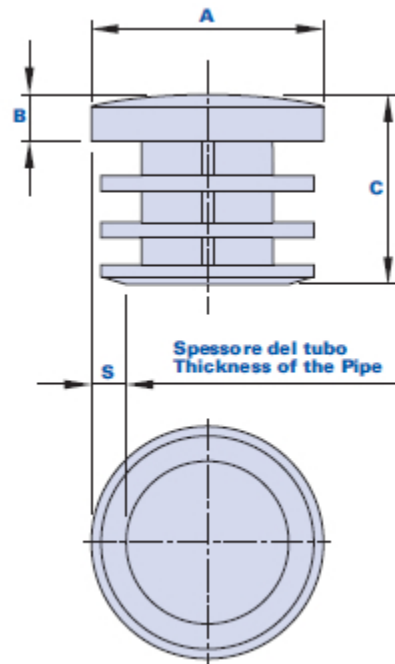


# 3100T

## Crowned cap for round-section pipes



Code	Description	Dimensions			Weight grams	Stock
		A	B	C		
3100T0001000	3100T D.10	10	5	14	1	-
3100T0001200	3100T D.12	12	5	15	1,1	√
3100T0001400	3100T D.14	14	5	19	1,29	√
3100T0001600	3100T D.16	16	5	21	1,5	√
3100T0001800	3100T D.18	18	5	18	2	-
3100T0002000	3100T D.20	20	5	18	2,4	√
3100T0002200	3100T D.22	22	5	18	2,88	√
3100T0002400	3100T D.24	24	5	25	4,2	-
3100T0002500	3100T D.25	25	5	24	4,7	√
3100T0002600	3100T D.26	26	5	25	5,5	-
3100T0002800	3100T D.28	28	5	24	6,6	√
3100T0003000	3100T D.30	30	5	24	7,8	√
3100T0003200	3100T D.32	32	5	24	8,7	√
3100T0003500	3100T D.35	35	5	25	9,4	√
3100T0003800	3100T D.38	38	5	27	12,5	√
3100T0004000	3100T D.40	40	5	27	14	√
3100T0004500	3100T D.45	45	5	35	19,8	√
3100T0005000	3100T D.50	50	5	27	25,1	√
3100T0006000	3100T D.60	60	5	29	35,6	√
3100T0008000	3100T D.80	80	5	38	50,7	√

### Material



Thenar Srl - Via della Costituzione, 66 - 42015 Correggio (RE) Italy

Tel. +39 0522 740511 - Fax +39 0522 740555 - info@thenar.it - www.thenar.it

THENAR models are reserved property under the law - Non-reproducible drawings unless the source is cited.

Polyethylene-based (PE) technopolymer. Resistant to organic and inorganic chemical substances such as oils, greases, fuels and solvents.

**Colour**

Black with satin finish.

**Package**

3100T D.10÷D.40: 100 - 200 - 500 pcs.

3100T D.45÷D.80: 50 - 100 - 200 pcs.