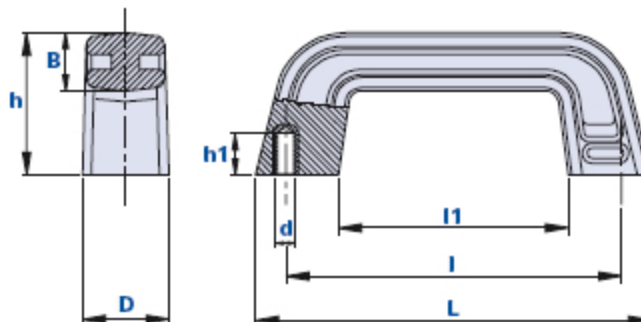


Bridge handle with blind threaded bushes



PA

+100
-30

PP

+80
-0


Code	Description	Dimensions						Insert		Weight grams	Stock
		L	D	h	B	l1	l	d	h1		
01342TD	MAN.342 M8 PP	156	34	56	23	90,5	132	M8	16	120	√
01342TND	MAN.342 M8 PA	156	34	56	23	90,5	132	M8	16	147	√
01342TNE	MAN.342 M10 PA	156	34	56	23	90,5	132	M10	14	147	√

Material

Polyamide-based (PA) technopolymer. Resistant to organic and inorganic chemical substances such as oils, greases, fuels and solvents.

Polypropylenic-based (PP) technopolymer. Resistant to organic and inorganic chemical substances such as oils, greases, fuels and solvents.

Colour

Black with satin finish.

Other colours for suitable quantities.

Insert

Brass.

Package

10 - 50 - 100 pcs.