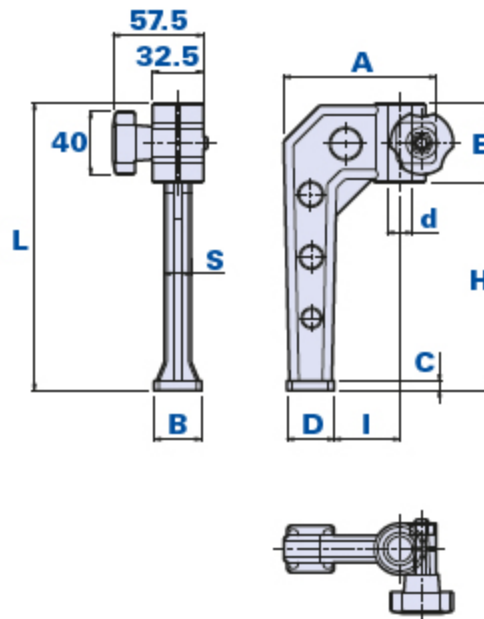


End stop



Code	Description	Dimensions							Hole		Weight grams	Stock
		L	H	BxD	C	A	S	I	d	E		
01362	362 D.16 L=183	183	132,5	30x30	6	97	17	42	16	50,5	157	√
01362Q	362 D.20 L=183	183	132,5	30x30	6	97	17	42	20	50,5	156,7	-
01362LU	362 D.16 L=237	237	187	30x40	6	97	17	32	16	50,5	183	√
01372	372 D.12 L=147	147	113	25x25	6	93	14	39,5	12	34	80,2	√

Material

Polyamide-based (PA) technopolymer. Resistant to organic and inorganic chemical substances such as oils, greases, fuels and solvents.

Colour

Black with satin finish.

Package

50 - 100 - 200 pcs.