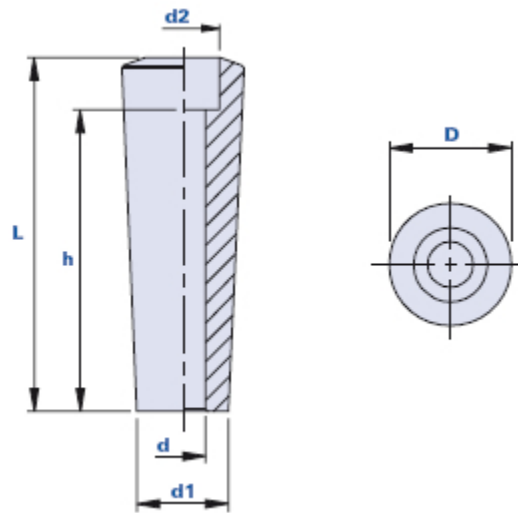
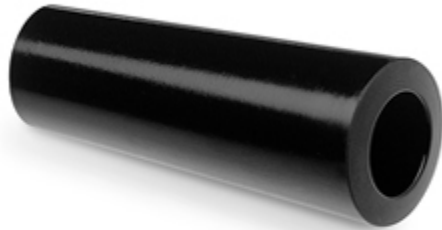


400B/MP



Revolving handgrip with pass-through hole



Code	Description	Dimensions				Hole			Weight grams	Stock
		L	D	d1	d2	d	h			
01400B1C	400B1/37 d.6,5	37	20	16	11	6,5	30	13	√	
01400B2D	400B2/55 d.8,5	55	22	18	13	8,5	46	20	√	
01MP4C	MP4/45 d.6,5	45	19	16	11	6,5	38	50	√	
01MP5C	MP5/55 d.6,5	55	19	16	11	6,5	48	47	√	
01MP6D	MP6/65 d.8,5	65	23	18	14	8,5	56	43	√	
01MP8E	MP8/80 d.10,5	80	28	21	17	10,5	68	41	√	
01MP8G	MP8/80 d.12,5	80	28	21	19	12,5	67	41	√	
01MP10E	MP10/100 d.10,5	100	31	23	17	10,5	88	60	√	
01MP10G	MP10/100 d.12,5	100	31	23	19	12,5	87	54	√	

Material

High resistance phenolc-based (PF) duroplast. Resistant to organic and inorganic chemical substances such as oils, greases, fuels and solvents.

Colour

Black with shiny finish.

Package

25 - 50 - 100 pcs.