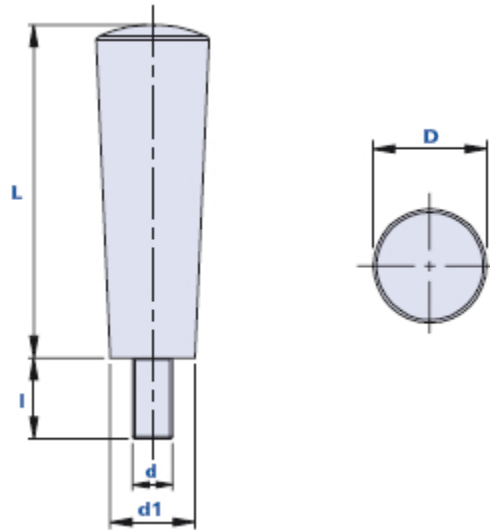


400C-MI



Handgrip with threaded pin



Code	Description	Dimensions			Insert		Weight grams	Stock
		L	D	d1	d	l		
01400C1B15	400C1/37 M5x15	37	20	16	M5	15	18	√
01400C2C15	400C2/37 M6x15	37	20	16	M6	15	21	√
01400C3D15	400C3/37 M8x15	37	20	16	M8	15	26	√
01400C4C15	400C4/53 M6x15	53	22	18	M6	15	31	-
01400C5D15	400C5/53 M8x15	53	22	18	M8	15	40	√
01400C6E15	400C6/53 M10x15	53	22	18	M10	15	50	√
01MI8D20	MI8/80 M8x20	82	28	21	M8	20	94	√
01MI8E20	MI8/80 M10x20	82	28	21	M10	20	98	√
01MI10D20	MI10/100 M8x20	98	30	23	M8	20	120	√
01MI10E20	MI10/100 M10x20	98	30	23	M10	20	129	√
01MI10F20	MI10/100 M12x20	98	30	23	M12	20	134	√

Material

High resistance phenolc-based (PF) duroplast.

Resistant to organic and inorganic chemical substances such as oils, greases, fuels and solvents.

Colour

Black with shiny finish.

Insert

Galvanized steel.

Package

25 - 50 - 100 pcs.