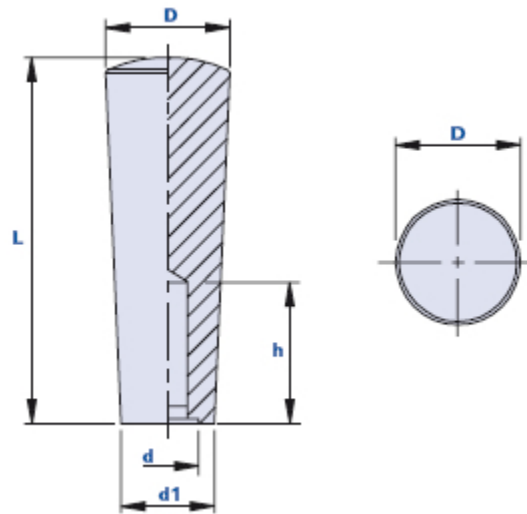
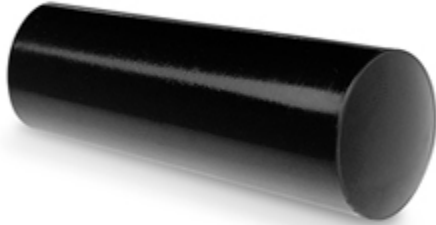


## Handgrip with blind threaded hole



Code	Description	Dimensions			Hole		Weight grams	Stock
		L	D	d1	d	h		
01400E/1B	400E1/37 M5	37	20	16	M5	20	14	√
01400E/2C	400E2/37 M6	37	20	16	M6	20	13	√
01400E/3D	400E3/37 M8	37	20	16	M8	20	11	√
01MF5C	MF5/55 M6	55	19	16	M6	23.5	16	√
01MF5D	MF5/55 M8	55	19	16	M8	23.5	12	√
01MF6C	MF6/65 M6	65	23	18	M6	23.5	35	√
01MF6D	MF6/65 M8	65	23	18	M8	23.5	31	√
01MF6E	MF6/65 M10	65	23	18	M10	23.5	27	√
01MF8D	MF8/80 M8	82	28	21	M8	35	60	√
01MF8E	MF8/80 M10	82	28	21	M10	35	55	√
01MF8F	MF8/80 M12	82	28	21	M12	35	52	√
01MF10D	MF10/100 M8	98	31	23	M8	35	75	√
01MF10E	MF10/100 M10	98	31	23	M10	35	75	√
01MF10F	MF10/100 M12	98	31	23	M12	35	70	√

### Material

High resistance phenolic-based (PF) duroplast.

Resistant to organic and inorganic chemical substances such as oils, greases, fuels and solvents.

### Colour

Black with shiny finish.

### Threading

Directly obtained from the plastic material.

### Package

25 - 50 - 100 pcs.

