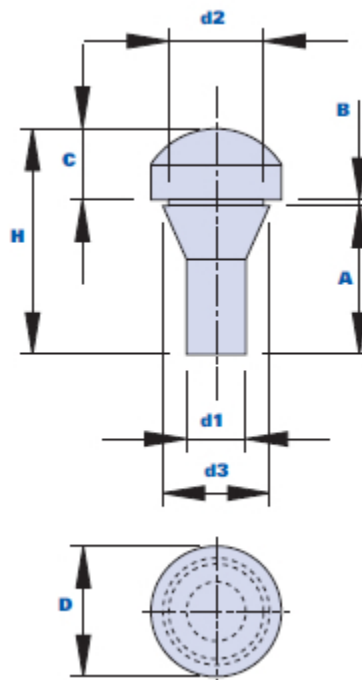


# 4010

## Anti-vibration cap



Code	Description	Dimensions									Weight grams	Stock
		A	B	C	D	H	d1	d2	d3			
401000001100	4010 D.11	2,5	0,5	6	11	19	8	8	9	0,092	√	

### Material

Ethylene-propylene-based rubber (EPDM) resistant to atmospheric agents, ultraviolet radiation and ozone, even at high temperatures. Resistant to water and steam, alkaline salt solutions, heavy mineral bases, glycols, brake fluids, ketones and oxygenates solvents. Not resistant to oils and greases, aliphatic, aromatic and chlorinated hydrocarbons, silicic ester-based hydraulic fluids.

### Colour

Black.

### Package

100 - 200 - 500 pcs.

