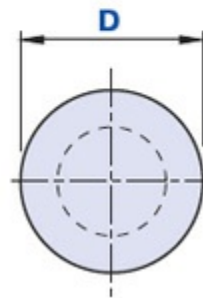
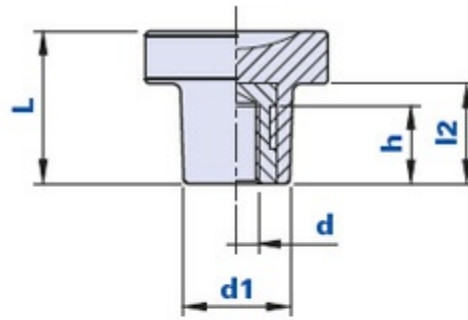


## Knob with blind threaded bush



Code	Description	Dimensions				Insert		Weight grams	Stock
		D	L	d1	l2	d	h		
0154T21B	54T D.21 M5X9	21	17,5	12,5	11,5	M5	9	67	√

### Material

Polyamide-based (PA) technopolymer. Resistant to organic and inorganic chemical substances such as oils, greases, fuels and solvents.

### Colour

Black with satin finish. Other colours for suitable quantities.

### Insert

Brass.

### Package

100 pcs.