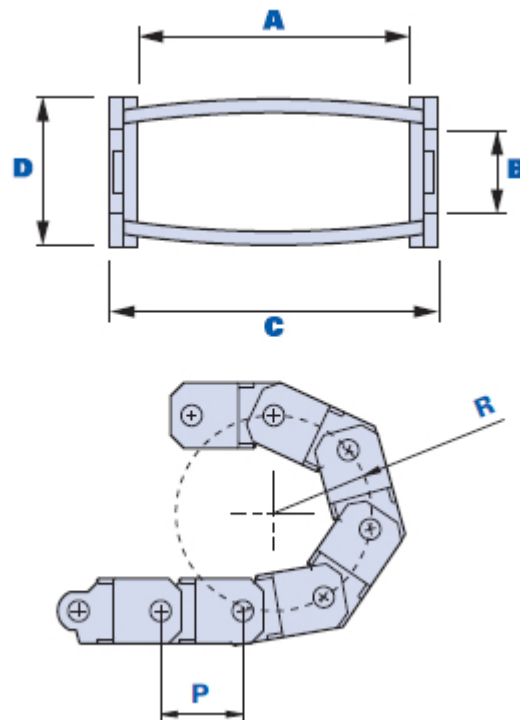


One-link restrained chain



17 elements ~ 1 m (986 mm)

Code	Description	Dimensions						Weight grams	Stock
		A	B	C	D	P	R		
01565BR75	565 R. 75	90	33	108	50	58	75	81	√
01565BR110	565 R. 110	90	33	108	50	58	110	81	√
01565BR150	565 R. 150	90	33	108	50	58	150	81	√
01565BR200	565 R. 200	90	33	108	50	58	200	81	√

Material

Polyamide-based (PA) technopolymer. Resistant to organic and inorganic chemical substances such as oils, greases, fuels and solvents.

Colour

Black with satin finish.