

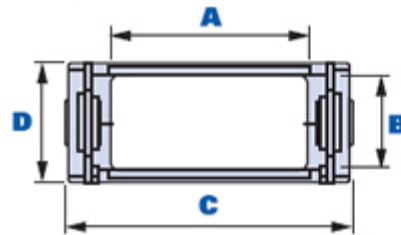
# 572-582



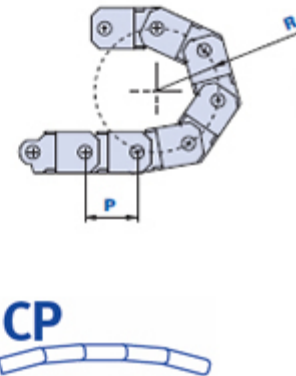
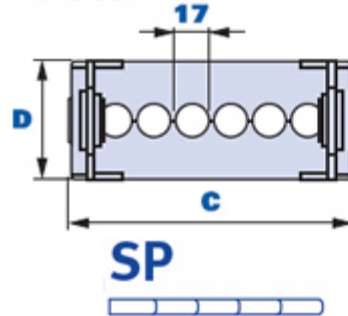
## Decomposable link chain with studs fixed with 2-principle self-threading screws and anti-torsion seal plug



mod. 572



mod. 582



SP = WITHOUT PRELOADING CP = WITH PRELOADING

16 elements ~ 1 m (1.008 mm)

| Code       | Description       | Dimensions |    |     |    |     |    |     |     | Weight grams | Stock |
|------------|-------------------|------------|----|-----|----|-----|----|-----|-----|--------------|-------|
|            |                   | A          | B  | C   | D  | F   | P  | R   |     |              |       |
| 01572AR75  | 572A/60 R.75 SP   | 60         | 35 | 95  | 51 | 55  | 63 | 75  | 93  | -            |       |
| 01572AR120 | 572A/60 R.120 SP  | 60         | 35 | 95  | 51 | 55  | 63 | 120 | 93  | -            |       |
| 01572AR180 | 572A/60 R.180 SP  | 60         | 35 | 95  | 51 | 55  | 63 | 180 | 93  | -            |       |
| 01572AR240 | 572A/60 R.240 SP  | 60         | 35 | 95  | 51 | 55  | 63 | 240 | 93  | -            |       |
| 01572AR320 | 572A/60 R.320 SP  | 60         | 35 | 95  | 51 | 55  | 63 | 320 | 93  | -            |       |
| 01572BR75  | 572B/90 R.75 SP   | 90         | 35 | 125 | 51 | 85  | 63 | 75  | 100 | -            |       |
| 01572BR120 | 572B/90 R.120 SP  | 90         | 35 | 125 | 51 | 85  | 63 | 120 | 100 | -            |       |
| 01572BR180 | 572B/90 R.180 SP  | 90         | 35 | 125 | 51 | 85  | 63 | 180 | 100 | -            |       |
| 01572BR240 | 572B/90 R.240 SP  | 90         | 35 | 125 | 51 | 85  | 63 | 240 | 100 | -            |       |
| 01572BR320 | 572B/90 R.320 SP  | 90         | 35 | 125 | 51 | 85  | 63 | 320 | 100 | -            |       |
| 01572CR75  | 572C/120 R.75 SP  | 120        | 35 | 155 | 51 | 115 | 63 | 75  | 109 | -            |       |
| 01572CR120 | 572C/120 R.120 SP | 120        | 35 | 155 | 51 | 115 | 63 | 120 | 109 | -            |       |
| 01572CR180 | 572C/120 R.180 SP | 120        | 35 | 155 | 51 | 115 | 63 | 180 | 109 | -            |       |
| 01572CR240 | 572C/120 R.240 SP | 120        | 35 | 155 | 51 | 115 | 63 | 240 | 109 | -            |       |
| 01572CR320 | 572C/120 R.320 SP | 120        | 35 | 155 | 51 | 115 | 63 | 320 | 109 | -            |       |
| 01572DR75  | 572D/150 R.75 SP  | 150        | 35 | 185 | 51 | 145 | 63 | 75  | 113 | -            |       |
| 01572DR120 | 572D/150 R.120 SP | 150        | 35 | 185 | 51 | 145 | 63 | 120 | 113 | -            |       |



Thenar Srl - Via della Costituzione, 66 - 42015 Correggio (RE) Italy

Tel. +39 0522 740511 - Fax +39 0522 740555 - info@thenar.it - www.thenar.it

THENAR models are reserved property under the law - Non-reproducible drawings unless the source is cited.

|             |                   |     |    |     |    |     |    |     |     |   |
|-------------|-------------------|-----|----|-----|----|-----|----|-----|-----|---|
| 01572DR180  | 572D/150 R.180 SP | 150 | 35 | 185 | 51 | 145 | 63 | 180 | 113 | - |
| 01572DR240  | 572D/150 R.240 SP | 150 | 35 | 185 | 51 | 145 | 63 | 240 | 113 | - |
| 01572DR320  | 572D/150 R.320 SP | 150 | 35 | 185 | 51 | 145 | 63 | 320 | 113 | - |
| 01582CR75   | 582C/120 R.75 SP  | 120 | 35 | 155 | 51 | 145 | 63 | 75  | 125 | - |
| 01582CR120  | 582C/120 R.120 SP | 120 | 35 | 155 | 51 | 145 | 63 | 120 | 125 | - |
| 01582CR180  | 582C/120 R.180 SP | 120 | 35 | 155 | 51 | 145 | 63 | 180 | 125 | - |
| 01582CR240  | 582C/120 R.240 SP | 120 | 35 | 155 | 51 | 145 | 63 | 240 | 125 | - |
| 01582CR320  | 582C/120 R.320 SP | 120 | 35 | 155 | 51 | 145 | 63 | 320 | 125 | - |
| 01572AR75C  | 572A/60 R.75 CP   | 60  | 35 | 95  | 51 | 55  | 63 | 75  | 93  | - |
| 01572AR120C | 572A/60 R.120 CP  | 60  | 35 | 95  | 51 | 55  | 63 | 120 | 93  | - |
| 01572AR180C | 572A/60 R.180 CP  | 60  | 35 | 95  | 51 | 55  | 63 | 180 | 93  | - |
| 01572AR240C | 572A/60 R.240 CP  | 60  | 35 | 95  | 51 | 55  | 63 | 240 | 93  | - |
| 01572AR320C | 572A/60 R.320 CP  | 60  | 35 | 95  | 51 | 55  | 63 | 320 | 93  | - |
| 01572BR75C  | 572B/90 R.75 CP   | 90  | 35 | 125 | 51 | 85  | 63 | 75  | 100 | - |
| 01572BR120C | 572B/90 R.120 CP  | 90  | 35 | 125 | 51 | 85  | 63 | 120 | 100 | - |
| 01572BR180C | 572B/90 R.180 CP  | 90  | 35 | 125 | 51 | 85  | 63 | 180 | 100 | - |
| 01572BR240C | 572B/90 R.240 CP  | 90  | 35 | 125 | 51 | 85  | 63 | 240 | 100 | - |
| 01572BR320C | 572B/90 R.320 CP  | 90  | 35 | 125 | 51 | 85  | 63 | 320 | 100 | - |
| 01572CR75C  | 572C/120 R.75 CP  | 120 | 35 | 155 | 51 | 115 | 63 | 75  | 109 | - |
| 01572CR120C | 572C/120 R.120 CP | 120 | 35 | 155 | 51 | 115 | 63 | 120 | 109 | - |
| 01572CR180C | 572C/120 R.180 CP | 120 | 35 | 155 | 51 | 115 | 63 | 180 | 109 | - |
| 01572CR240C | 572C/120 R.240 CP | 120 | 35 | 155 | 51 | 115 | 63 | 240 | 109 | - |
| 01572CR320C | 572C/120 R.320 CP | 120 | 35 | 155 | 51 | 115 | 63 | 320 | 109 | - |
| 01572DR75C  | 572D/150 R.75 CP  | 150 | 35 | 185 | 51 | 145 | 63 | 75  | 113 | - |
| 01572DR120C | 572D/150 R.120 CP | 150 | 35 | 185 | 51 | 145 | 63 | 120 | 113 | - |
| 01572DR180C | 572D/150 R.180 CP | 150 | 35 | 185 | 51 | 145 | 63 | 180 | 113 | - |
| 01572DR240C | 572D/150 R.240 CP | 150 | 35 | 185 | 51 | 145 | 63 | 240 | 113 | - |
| 01572DR320C | 572D/150 R.320 CP | 150 | 35 | 185 | 51 | 145 | 63 | 320 | 113 | - |
| 01582CR75C  | 582C/120 R.75 CP  | 120 | 35 | 155 | 51 | 145 | 63 | 75  | 125 | - |
| 01582CR120C | 582C/120 R.120 CP | 120 | 35 | 155 | 51 | 145 | 63 | 120 | 125 | - |
| 01582CR180C | 582C/120 R.180 CP | 120 | 35 | 155 | 51 | 145 | 63 | 180 | 125 | - |
| 01582CR240C | 582C/120 R.240 CP | 120 | 35 | 155 | 51 | 145 | 63 | 240 | 125 | - |
| 01582CR320C | 582C/120 R.320 CP | 120 | 35 | 155 | 51 | 145 | 63 | 320 | 125 | - |

#### Material

Polyamide-based (PA) technopolymer. Resistant to organic and inorganic chemical substances such as oils, greases, fuels and solvents.

#### Colour

Black with satin finish.