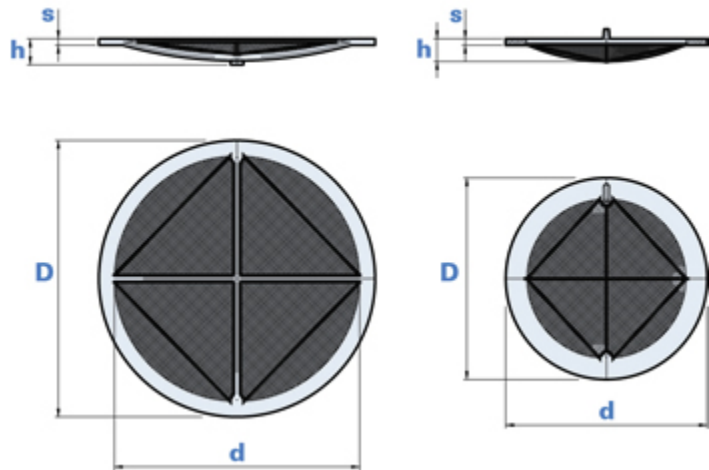
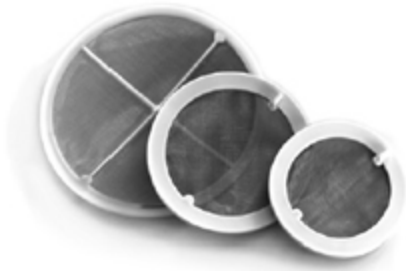


6001I

VAL-PA

Strainer



inox

PP

+80
-0

RoHS

Code	Description	Dimensions				Weight grams	Stock
		D	d	h	s		
6001I0010500	6001I D.105	104	78	11	4	20,6	√
6001I0012500	6001I D.125	124	98	14	4	25,2	√
6001I0017000	6001I D.170	170	151	16	4	29,4	√

Material

Polypropylene-based (PP) technopolymer. Resistant to organic and inorganic chemical substances such as oils, greases, fuels and solvents. Stainless steel AISI 304. Fit for contact with foodstuffs.

Filtration capacity

416 Micron (0,416 mm).

Colour

White.

Package

D.105/125 - 100 pcs.

D.170 - 80 pcs.