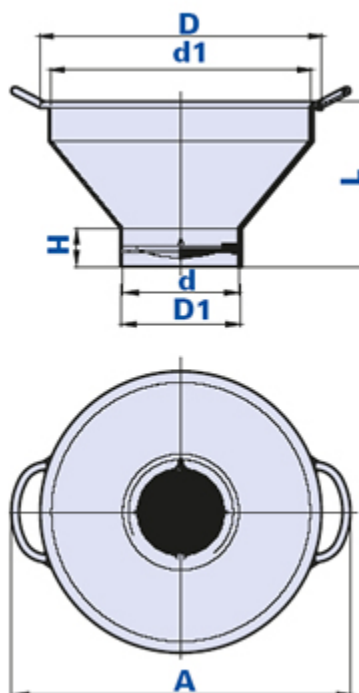


Milk colander with strainer



inox

PP

+80
-0

PE

+80
-10

RoHS

Code	Description	Dimensions					Hole		Weight grams	Stock
		D	D1	L	A	d1	d	H		
6002I0010500	6002I D.105	252	232	148	304	110	105	34	172,30	√

Milk colander material

Polyethylene-based (PE) technopolymer. Resistant to organic and inorganic chemical substances such as oils, greases, fuels and solvents.

Strainer material

Polypropylene-based (PP) technopolymer. Resistant to organic and inorganic chemical substances such as oils, greases, fuels and solvents. Stainless steel AISI 304. Fit for contact with foodstuffs.

Filtration capacity

416 Micron (0,416 mm).

Colour

White.

Package

20 pcs.