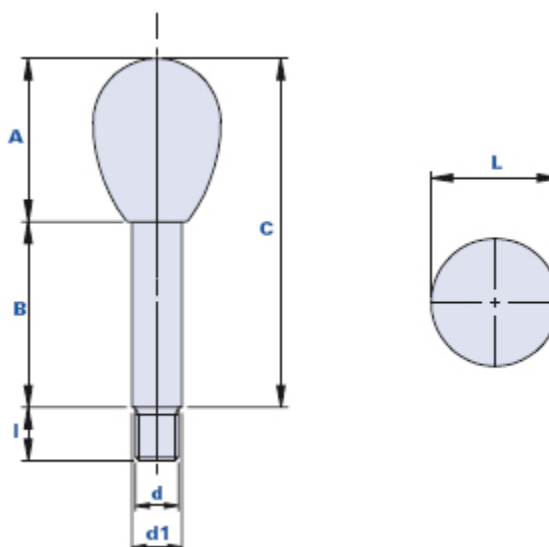


## Lever with handgrip



Code	Description	Dimensions				Insert			Weight grams	Stock
		C	L	A	B	d	d1	l		
01BTH36F91	BTH36/M12x91	91	36	46	45	M12	14	15	103	√
01BTH36F126	BTH36/M12x126	126	36	46	80	M12	14	15	146	√
01BTH36F166	BTH36/M12x166	166	36	46	120	M12	14	15	194	√
01BTH36N61	BTH36/M14x61	61	36	46	15	M14	16	15	78	√
01BTH36N99	BTH36/M14x99	99	36	46	53	M14	16	15	138	√
01BTH36N120	BTH36/M14x120	120	36	46	74	M14	16	15	171	√
01BTH36N146	BTH36/M14x146	146	36	46	100	M14	16	15	212	√

### Handgrip material

Propylene-based (PP) technopolymer. Resistant to organic and inorganic chemical substances such as oils, greases, fuels and solvents.

### Handgrip colour

Black with satin finish.  
Other colours for suitable quantities.

### Insert material

Painted steel with cathoporesis. Threaded end.  
On request execution in stainless steel AISI 303, for suitable quantities.

### Insert colour

Black.

### Package

1 - 5 - 10 pcs.