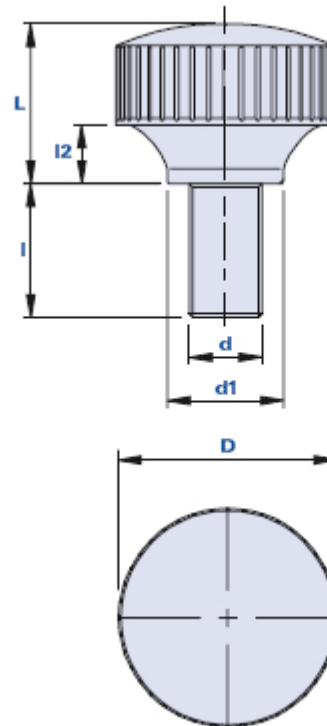


Knurled grip knob with threaded pin



Code	Description	Dimensions				Insert		Weight grams	Stock
		D	L	d1	l2	d	l		
01CMID20	CMI/30 M8x20	30	22	16	8	M8	20	28	√
01CMID30	CMI/30 M8x30	30	22	16	8	M8	30	32	√
01CMID40	CMI/30 M8x40	30	22	16	8	M8	40	34	√
01CMID50	CMI/30 M8x50	30	22	16	8	M8	50	36	√
01CMIE20	CMI/30 M10x20	30	22	16	8	M10	20	39	-
01CMIE30	CMI/30 M10x30	30	22	16	8	M10	30	42	-
01CMIE40	CMI/30 M10x40	30	22	16	8	M10	40	44	-
01CMIF20	CMI/30 M12x20	30	22	16	8	M12	20	42	-
01CMIF30	CMI/30 M12x30	30	22	16	8	M12	30	45	-
01CMIF40	CMI/30 M12x40	30	22	16	8	M12	40	48	-

Material

High resistance phenolyc-based (PF) duroplast.

Resistant to organic and inorganic chemical substances such as oils, greases, fuels and solvents.

Colour

Black with shiny finish.

Insert

Galvanized steel.

Package

25 - 50 - 100 pcs.

