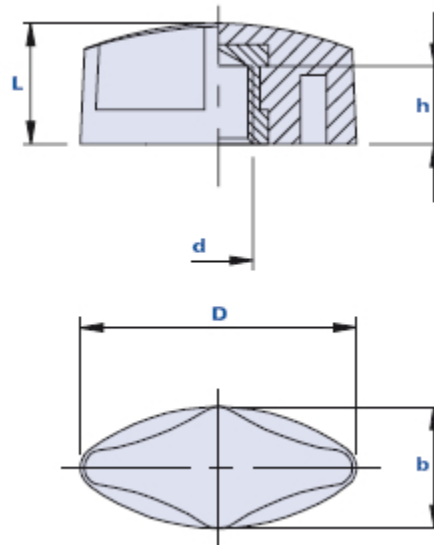


Wing nut with blind threaded bush



Code	Description	Dimensions			Insert		Weight grams	Stock
		D	b	L	d	h		
01CSBB	CSB/32 M5	32	14	14	M5	8	8	√
01CSBC	CSB/32 M6	32	14	14	M6	8	12	√
01CSBD	CSB/32 M8	32	14	14	M8	8	16	√
01CSBCA	CSB/32 M6 RAL 2004	32	14	14	M6	8	12	√
01CSBDA	CSB/32 M8 RAL 2004	32	14	14	M8	8	16	√

Material

Polyamide-based (PA) technopolymer. Resistant to organic and inorganic chemical substances such as oils, greases, fuels and solvents.

Colour

Black, orange RAL 2004. Satin finish.
Other colours for suitable quantities.

Insert

Brass. Special inserts on design and/or in nickel-plated brass/stainless steel on request, for suitable quantities.

Package

25 - 100 - 200 pcs.