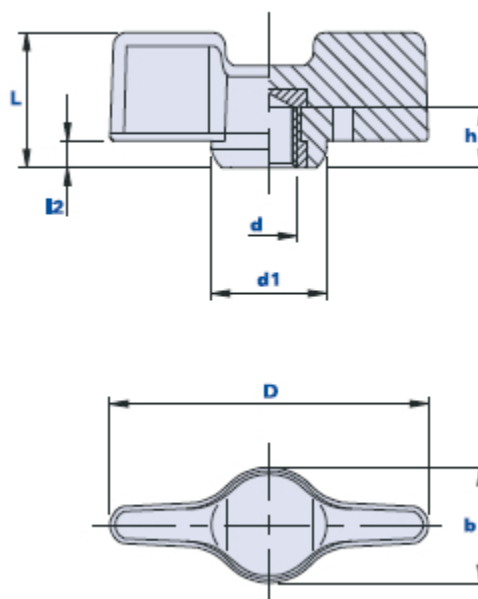


## Wing nut with blind threaded bush



Code	Description	Dimensions					Insert		Weight grams	Stock
		D	b	L	d1	l2	d	h		
01CSB47C	CSB 47 M6	47	17	20	17	4	M6	9	8	√
01CSB47D	CSB 47 M8	47	17	20	17	4	M8	9	10	√

### Material

Polyamide-based (PA) technopolymer. Resistant to organic and inorganic chemical substances such as oils, greases, fuels and solvents.

### Colour

Black with satin finish.  
Other colours for suitable quantities.

### Insert

Brass. Special inserts on design and/or in nickel-plated brass / stainless steel on request, for suitable quantities.

### Package

25 - 100 - 200 pcs.