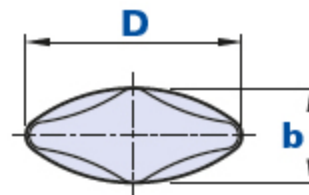
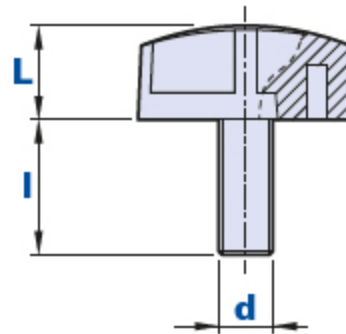


## Wing nut with threaded pin



Code	Description	Dimensions			Insert		Weight grams	Stock
		D	b	L	d	l		
01CSPB10	CSP/32 M5X10	32	14	14	M5	10	8	√
01CSPB15	CSP/32 M5X15	32	14	14	M5	15	8	√
01CSPB20	CSP/32 M5X20	32	14	14	M5	20	8	√
01CSPB25	CSP/32 M5X25	32	14	14	M5	25	9	√
01CSPC10	CSP/32 M6X10	32	14	14	M6	10	8	√
01CSPC15	CSP/32 M6X15	32	14	14	M6	15	9	√
01CSPC20	CSP/32 M6X20	32	14	14	M6	20	10	√
01CSPC25	CSP/32 M6X25	32	14	14	M6	25	10	√
01CSPC30	CSP/32 M6X30	32	14	14	M6	30	11	√
01CSPC40	CSP/32 M6X40	32	14	14	M6	40	14	√
01CSPC70	CSP/32 M6X70	32	14	14	M6	70	19	-
01CSPD10	CSP/32 M8X10	32	14	14	M8	10	11	√
01CSPD15	CSP/32 M8X15	32	14	14	M8	15	11	√
01CSPD20	CSP/32 M8X20	32	14	14	M8	20	12	√
01CSPD25	CSP/32 M8X25	32	14	14	M8	25	12	√
01CSPD30	CSP/32 M8X30	32	14	14	M8	30	16	√
01CSPD40	CSP/32 M8X40	32	14	14	M8	40	18	√
01CSPB10A	CSP/32 M5X10 RAL 2004	32	14	14	M5	10	8	√
01CSPB15A	CSP/32 M5X15 RAL 2004	32	14	14	M5	15	9	√
01CSPB25A	CSP/32 M5X25 RAL 2004	32	14	14	M5	25	11	√
01CSPC15A	CSP/32 M6X15 RAL 2004	32	14	14	M6	15	9	√
01CSPC20A	CSP/32 M6X20 RAL 2004	32	14	14	M6	20	10	√

**Material**

Polyamide-based (PA) technopolymer. Resistant to organic and inorganic chemical substances such as oils, greases, fuels and solvents.

**Colour**

Black, orange RAL 2004. Satin finish.

Other colours for suitable quantities.

**Insert**

Galvanized steel. Special inserts on design and/or in brass/stainless steel on request, for suitable quantities.

**Package**

25 - 100 - 200 pcs.