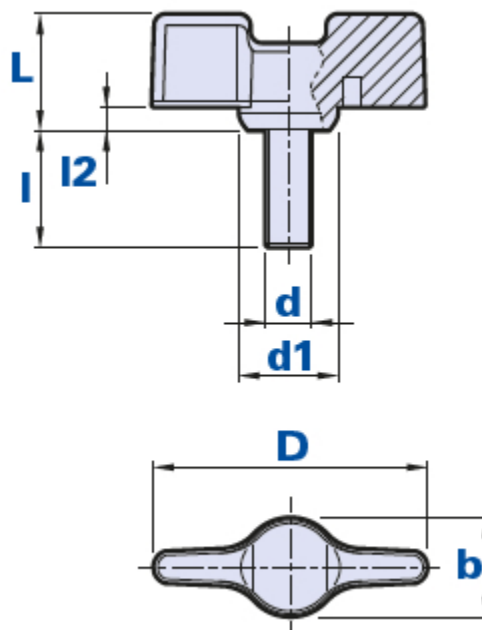


Wing nut with threaded pin



Code	Description	Dimensions					Insert		Weight grams	Stock
		D	b	L	d1	l2	d	l		
01CSP47C10	CSP47 M6x10	47	17	20	17	4	M6	10	14	√
01CSP47C15	CSP47 M6x15	47	17	20	17	4	M6	15	14	√
01CSP47C20	CSP47 M6x20	47	17	20	17	4	M6	20	14	√
01CSP47C25	CSP47 M6x25	47	17	20	17	4	M6	25	14	√
01CSP47C30	CSP47 M6x30	47	17	20	17	4	M6	30	14	√
01CSP47D10	CSP47 M8x10	47	17	20	17	4	M8	10	12	-
01CSP47D15	CSP47 M8x15	47	17	20	17	4	M8	15	12	√
01CSP47D20	CSP47 M8x20	47	17	20	17	4	M8	20	14	√
01CSP47D25	CSP47 M8x25	47	17	20	17	4	M8	25	16	√
01CSP47D30	CSP47 M8x30	47	17	20	17	4	M8	30	18	√
01CSP47D35	CSP47 M8x35	47	17	20	17	4	M8	35	19	√
01CSP47D40	CSP47 M8x40	47	17	20	17	4	M8	40	20	√
01CSP47D60	CSP47 M8x60	47	17	20	17	4	M8	60	24	-

Material

Polyamide-based (PA) technopolymer. Resistant to organic and inorganic chemical substances such as oils, greases, fuels and solvents.

Colour

Black with satin finish.
Other colours for suitable quantities.

Insert

Galvanized steel. Special inserts on design and/or in brass/stainless steel on request, for suitable quantities.

Package

25 - 100 - 200 pcs.