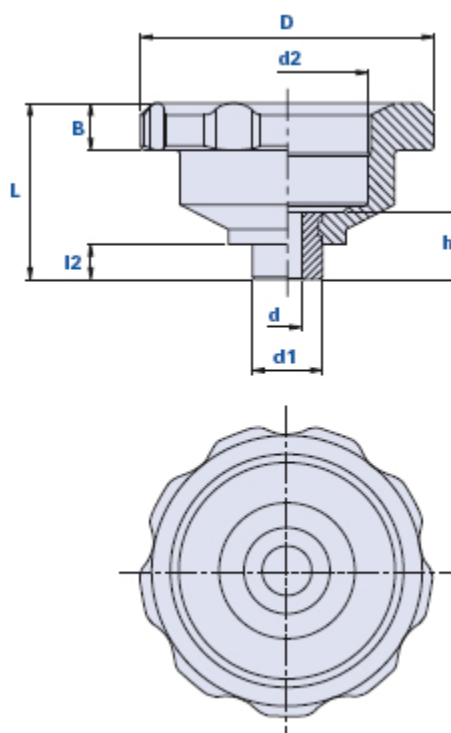


Instrument-holder handwheel



Code	Description	Dimensions				Insert				Weight grams	Stock
		D	L	B	d2	dH7	h	d1	l2		
01DAE	DA/D.100/10	100	60	16	55	10	23	24	12	240	-
01DAF	DA/D.100/12	100	60	16	55	12	23	24	12	230	√
01DAN	DA/D.100/14	100	60	16	55	14	23	24	12	210	√
01DAP	DA/D.100/16	100	60	16	55	16	23	24	12	200	√

Material

High resistance phenolyc-based (PF) duroplast. Resistant to organic and inorganic chemical substances such as oils, greases, fuels and solvents.

Colour

Black with shiny finish.

Insert

Galvanized steel with standard pass-through hole with tolerance H7.

Package

Minimum order quantity: 100 pcs., packages of 10 pcs.