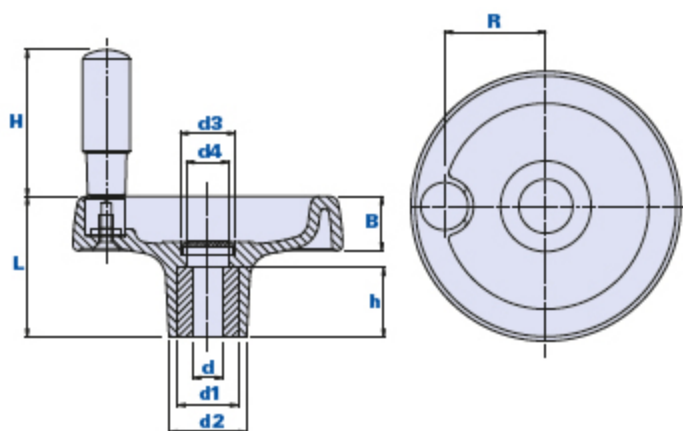


Disc-shaped handwheel with fixed revolving handgrip



How to order:

Example: handwheel code 31080C with yellow cap = code 31080C-G

| | | | | | |
|------------|-------------|----------|------------|-----------|-------------|
| Black cap: | Yellow cap: | Red cap: | Green cap: | Blue cap: | Orange cap: |
| Cod. + N | Cod. + G | Cod. + R | Cod. + V | Cod. + B | Cod. + A |

| Code | Description | Dimensions | | | | | | Insert | | | Handgrip | | | Weight grams | Stock |
|-----------|-------------|------------|----|----|----|------|----|--------|-----|----|----------|----|----|--------------|-------|
| | | D | L | B | d2 | d3 | d4 | d1 | dH7 | h | H | I | R | | |
| 31080C... | DSF80/6 | 80 | 45 | 21 | 24 | 14 | 10 | 16 | 6 | 22 | 49 | 18 | 28 | 128 | √ |
| 31080D... | DSF80/8 | 80 | 45 | 21 | 24 | 14 | 10 | 20 | 8 | 22 | 49 | 18 | 28 | 138 | √ |
| 31080E... | DSF80/10 | 80 | 45 | 21 | 24 | 14 | 10 | 20 | 10 | 22 | 49 | 18 | 28 | 134 | √ |
| 31100D... | DSF100/8 | 100 | 48 | 22 | 28 | 18 | 14 | 20 | 8 | 22 | 57 | 20 | 37 | 164 | √ |
| 31100E... | DSF100/10 | 100 | 48 | 22 | 28 | 18 | 14 | 20 | 10 | 22 | 57 | 20 | 37 | 160 | √ |
| 31100F... | DSF100/12 | 100 | 48 | 22 | 28 | 18 | 14 | 20 | 12 | 22 | 57 | 20 | 37 | 154 | √ |
| 31125E... | DSF125/10 | 125 | 65 | 25 | 36 | 25,5 | 20 | 28 | 10 | 32 | 68 | 22 | 47 | 385 | √ |
| 31125F... | DSF125/12 | 125 | 65 | 25 | 36 | 25,5 | 20 | 28 | 12 | 32 | 68 | 22 | 47 | 399 | √ |
| 31125G... | DSF125/14 | 125 | 65 | 25 | 36 | 25,5 | 20 | 28 | 14 | 32 | 68 | 22 | 47 | 412 | √ |
| 31125I... | DSF125/16 | 125 | 65 | 25 | 36 | 25,5 | 20 | 28 | 16 | 32 | 68 | 22 | 47 | 412 | - |
| 31125L... | DSF125/17 | 125 | 65 | 25 | 36 | 25,5 | 20 | 28 | 17 | 32 | 68 | 22 | 47 | 412 | - |
| 31125N... | DSF125/20 | 125 | 65 | 25 | 36 | 25,5 | 20 | 28 | 20 | 32 | 68 | 22 | 47 | 412 | - |
| 31160G... | DSF160/14 | 160 | 80 | 27 | 46 | 40 | 23 | 28 | 14 | 32 | 80 | 23 | 60 | 490 | √ |
| 31160I... | DSF160/16 | 160 | 80 | 27 | 46 | 40 | 23 | 28 | 16 | 32 | 80 | 23 | 60 | 485 | √ |

Material

Polyamide-based (PA) technopolymer. Resistant to organic and inorganic chemical substances such as oils, greases, fuels and solvents.

Colour

Black with satin finish.

Other colours for suitable quantities.

Insert

Galvanized steel with standard pass-through hole with tolerance H7. Special inserts on design and/or in brass/stainless steel, on request for suitable quantities.

Cap

Bush-cover cap black RAL 7021, yellow RAL 1021, red RAL 3020, green RAL 6018, blue RAL 5015, orange RAL 2004. Satin finish. Press-fit assembly, easily removable.

On request, customization with other colours, logo and/or graphics, for suitable quantities.

Remarks

On request, for small/medium quantities, we execute threaded holes for fixing the handwheel on the shaft or keyways.

Package

1 - 5 - 10 pcs.