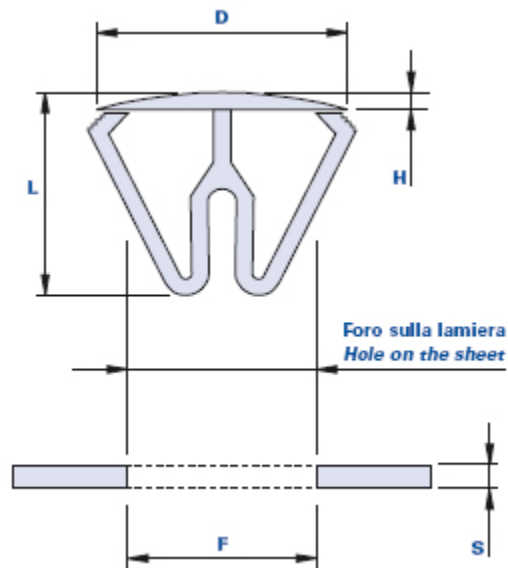


Hole closing cap with different diameters for plates



Code	Description	Dimensions			Panels		Weight grams	Stock
		D	H	L	F	S		
01FTVA	FTV F. 9,5/13,5	16,7	1,5	15,5	9,5 - 13,5	1,0 - 2,5	0,6	√
01FTVB	FTV F. 14/21	24,8	1,5	17,5	14,0 - 21	1,0 - 2,5	1	√
01FTVC	FTV F. 22/30	34,8	1,5	18,5	22,0 - 30,0	1,0 - 2,5	2	√

Material

Polyamide-based (PA) technopolymer. Resistant to organic and inorganic chemical substances such as oils, greases, fuels and solvents.

Colour

Black with satin finish.

Package

200 - 500 - 1000 pcs.