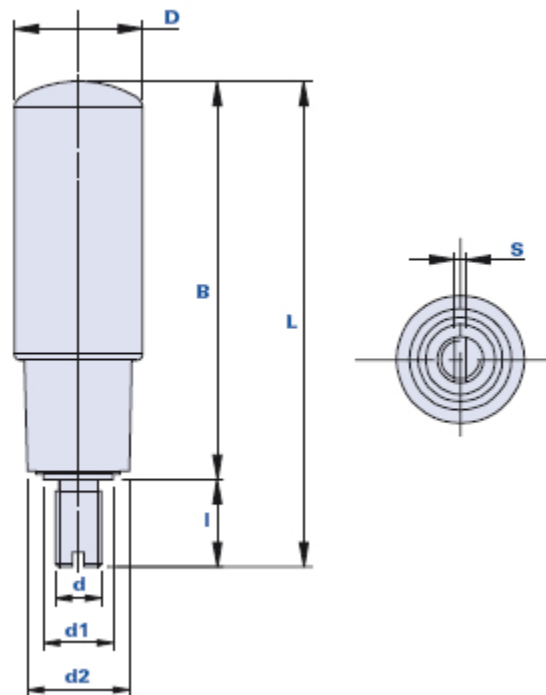


Revolving handgrip



Code	Description	Dimensions						Insert		Weight grams	Stock
		B	D	L	I	d2	d1	d	S		
40046F	HFD 46 D.18	46	18	61,5	12	16	12,5	M6	1,5	30	√
40056F	HFD 56 D.20	56	20	72	12	16	12,5	M6	1,5	34	√
40065F	HFD 65 D.22	65	22	81	15	17,5	12,5	M8	2	52	√
40080F	HFD 80 D.23	80	23	96	15	20	12,5	M8	2	55	√
40090F	HFD 90 D.25	90	25	108	17	21,5	15	M10	2,5	124	-

Material

Polyamide-based (PA) technopolymer. Resistant to organic and inorganic chemical substances such as oils, greases, fuels and solvents.

Colour

Black with satin finish.
Other colours for suitable quantities.

Insert

Burnished steel with screwdriver notching on the end part of the threaded pin. On request execution in stainless steel AISI 303 for suitable quantities.

Package

10 - 50 - 100 pcs.