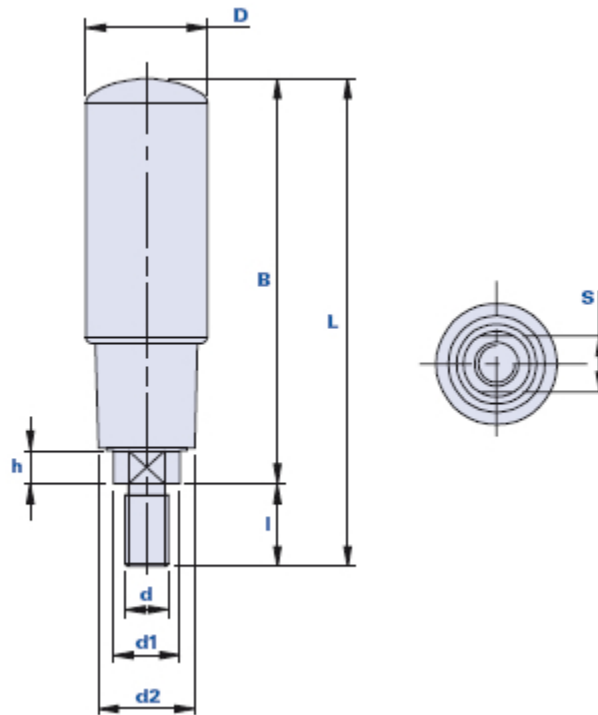


## Revolving handgrip



Code	Description	Dimensions							Insert		Weight grams	Stock
		B	D	L	l	h	d2	d1	d	S		
40046FC	HFDC 46 D.18	51	18	63	12	5	16	12,5	M6	8	34	√
40056FC	HFDC 56 D.20	61	20	73	12	5	16	12,5	M6	8	38	√
40065FC	HFDC 65 D.22	71	22	86	15	6	17,5	12	M8	10	56	√
40080FC	HFDC 80 D.23	86	23	101	15	6	20	12	M8	10	60	√
40090FC	HFDC 90 D.25	97,5	25	114,5	17	7	21,5	15	M10	13	130	-

### Material

Polyamide-based (PA) technopolymer. Resistant to organic and inorganic chemical substances such as oils, greases, fuels and solvents.

### Colour

Black with satin finish.  
Other colours for suitable quantities.

### Insert

Burnished steel with milling executions for screwing down with a key. On request execution in stainless steel AISI 303, for suitable quantities.

### Package

10 - 50 - 100 pcs.