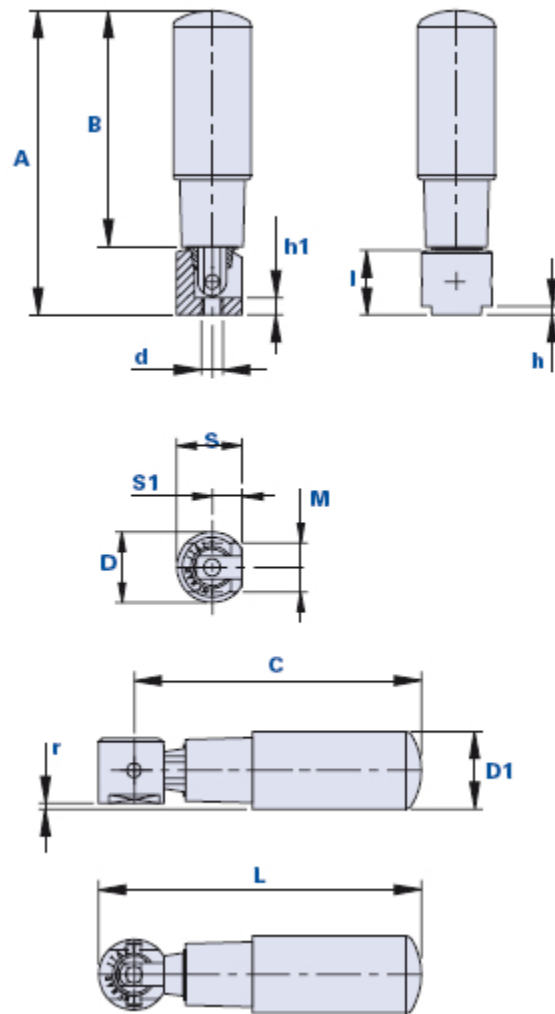


Revolving flick folding handgrip



Code	Description	Dimensions										Fixing		Weight grams	Stock
		B	A	D1	L	C	D	r	h	S	S1	h1	d		
40046R	HFL 46 D. 18	46	62	18	65	57	16	15,4	1,6	14,5	6,5	4	M4	48	√
40056R	HFL 56 D. 20	56	72,5	20	75,5	67,5	16	15,4	2,6	14,5	6,5	4	M4	52	√
40065R	HFL 65 D. 22	65	86,5	22	92	82	20	18,4	1,6	18,5	8,5	5	M6	84	√
40080R	HFL 80 D. 23	80	98	23	103,5	93,5	20	18,4	2,1	18,5	8,5	5	M6	88	√
40090R	HFL 90 D. 25	90	133,5	25	120	107	26	23,4	0	23,5	10,5	7	M6	155	-

Material

Polyamide-based (PA) technopolymer. Resistant to organic and inorganic chemical substances such as oils, greases, fuels and solvents.

Colour

Black with satin finish.
Other colours for suitable quantities.

Insert/Support

Burnished steel.

Package

10 - 50 - 100 pcs.