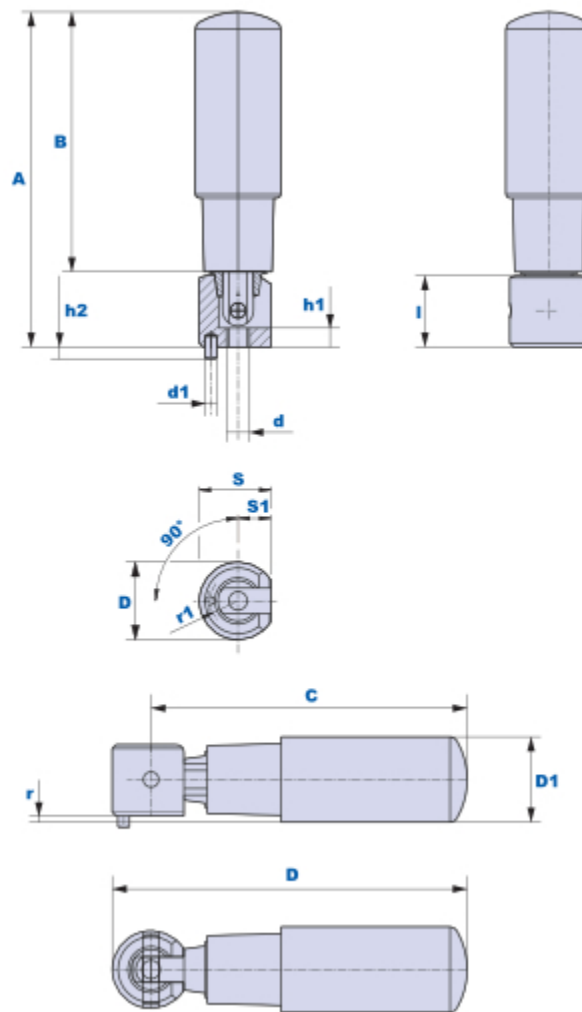


Snap-on revolving handles with plug



Code	Description	Dimensions										Fixing		Plug			Weight grams	Stock
		B	A	D1	L	C	D	l	r	S	S1	h1	d	d1	h2	r1		
40046R+SP	HFL 46 D.18 + SP	46	62	18	65	57	16	15,4	1,6	14,5	6,5	4	M4	3	3	5,5	48	-
40056R+SP	HFL 56 D.20 + SP	56	72,5	20	75,5	67,5	16	15,4	2,6	14,5	6,5	4	M4	3	3	5,5	52	-
40065R+SP	HFL 65 D.22 + SP	65	86,5	22	92	82	20	18,4	1,6	18,5	8,5	5	M6	3	3	7	84	√
40080R+SP	HFL 80 D.23 + SP	80	98	23	103,5	93,5	20	18,4	2,1	18,5	8,5	5	M6	3	3	7	88	-
40090R+SP	HFL 90 D.23 + SP	90	133,5	25	120	107	26	23	0	23,5	10,5	7	M6	3	3	9	157	-

Material

Polyamide-based (PA) technopolymer. Resistant to organic and inorganic chemical substances such as oils, greases, fuels and solvents.

Colour

Black with satin finish.
Other colours for suitable quantities.

Insert/Support

Burnished steel.

On request, execution in AISI 303 stainless steel, for suitable quantities.

Plug

ISO 2338 stainless steel

Package

10 - 50 - 100 pcs.