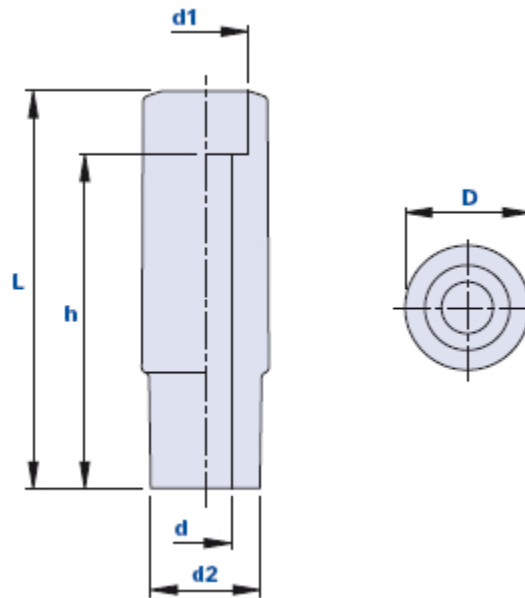


## Revolving handgrip with pass-through hole



Code	Description	Dimensions				Hole		Weight grams	Stock
		L	D	d2	d1	d	h		
40046PC	HFP 46 D.18	45	18	16	11	6,5	39	9	√
40056PC	HFP 56 D.20	54	20	16	11	6,5	48	12	√
40065PD	HFP 65 D.21	65	21	18	14	8,5	55	20	√
40080PE	HFP 80 D.23	78	23	20	17	10,5	66	24	√
40090PE	HFP 90 D.25	88	25	21	17	10,5	77	32	-

### Material

Polyamide-based (PA) technopolymer. Resistant to organic and inorganic chemical substances such as oils, greases, fuels and solvents.

### Colour

Black with satin finish.  
Other colours for suitable quantities.

### Package

10 - 50 - 100 pcs.