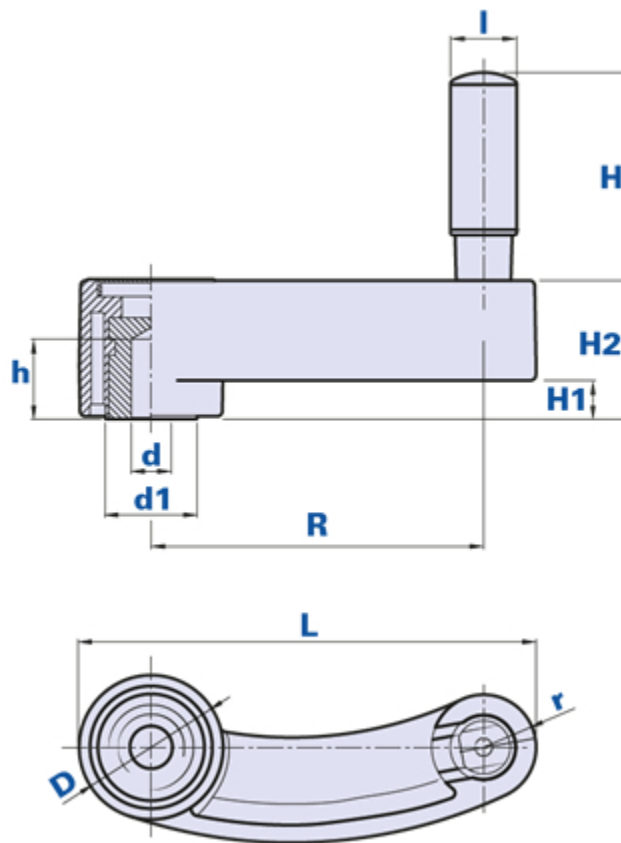


Crank handle with fixed revolving handgrip



How to order:

Example: crank handle code 33125D with yellow cap = code 33125D-G

Black cap:	Yellow cap:	Red cap:	Green cap:	Blue cap:	Orange cap:
Cod. + N	Cod. + G	Cod. + R	Cod. + V	Cod. + B	Cod. + A

Code	Description	Dimensions						Insert			Handgrip		Weight grams	Stock
		D	r	R	L	H1	H2	dH7	d1	h	H	l		
33125D...	HTF D.8	53,5	19	125	172	14,5	52	8	34,5	30	80	23	490	√
33125G...	HTF D.14	53,5	19	125	172	14,5	52	14	34,5	30	80	23	464	√
33125H...	HTF D.15	53,5	19	125	172	14,5	52	15	34,5	30	80	23	459	√

Material

Polyamide-based (PA) technopolymer. Resistant to organic and inorganic chemical substances such as oils, greases, fuels and solvents.

Colour

Black with satin finish.
Other colours for suitable quantities.

Insert

Galvanized steel with standard blind hole with tolerance H7.

On request supplied with pass-through insert.

Special inserts on design and/or in brass/stainless steel, on request for suitable quantities.

Cap

Cap black RAL 7021, yellow RAL 1021, red RAL 3020, green RAL 6018, blue RAL 5015, orange RAL 2004. Satin finish. Press-fit assembly, easily removable.

On request, customization with other colours, logo and/or graphics, for suitable quantities.

Remarks

On request, for small/medium quantities, we execute threaded holes for fixing the crank handle on the shaft or keyways.

Package

1 - 5 - 10 pcs.