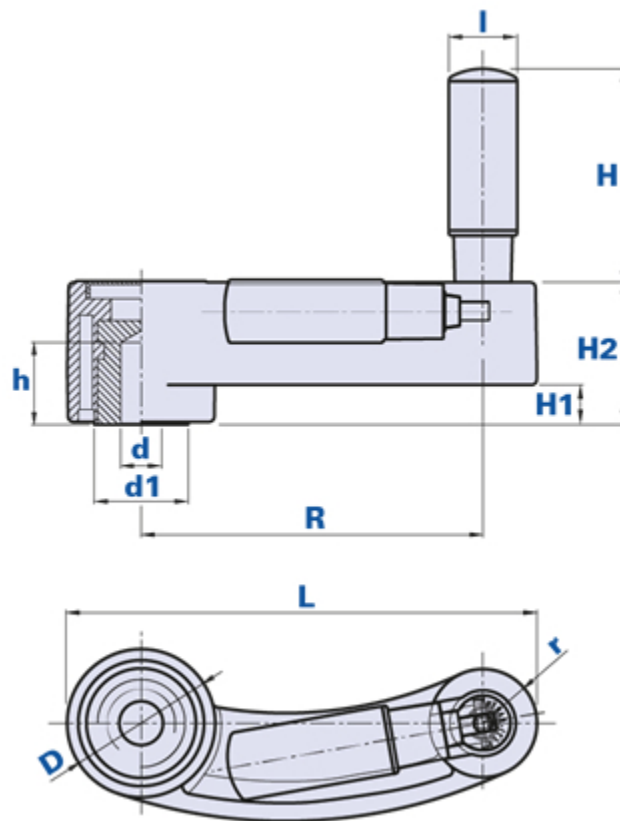


## Crank handle with revolving and flick folding handgrip



### How to order:

Example: crank handle code 34125D with yellow cap = code 34125D-G

Black cap: Cod. + <b>N</b>	Yellow cap: Cod. + <b>G</b>	Red cap: Cod. + <b>R</b>	Green cap: Cod. + <b>V</b>	Blue cap: Cod. + <b>B</b>	Orange cap: Cod. + <b>A</b>
-------------------------------	--------------------------------	-----------------------------	-------------------------------	------------------------------	--------------------------------

Code	Description	Dimensions						Insert			Handgrip		Weight grams	Stock
		D	r	R	L	H1	H2	dH7	d1	h	H	I		
<b>34125D...</b>	HTR D.8	53,5	19	125	172	14,5	52	8	34,5	30	80	23	487	√
<b>34125G...</b>	HTR D. 14	53,5	19	125	172	14,5	52	14	34,5	30	80	23	461	√
<b>34125H...</b>	HTR D.15	53,5	19	125	172	14,5	52	15	34,5	30	80	23	456	√

### Material

Polyamide-based (PA) technopolymer. Resistant to organic and inorganic chemical substances such as oils, greases, fuels and solvents.

### Colour

Black with satin finish.  
Other colours for suitable quantities.

### Insert

Galvanized steel with standard blind hole with tolerance H7.

On request supplied with pass-through insert.

Special inserts on design and/or in brass/stainless steel, on request for suitable quantities.

### **Cap**

Cap black RAL 7021, yellow RAL 1021, red RAL 3020, green RAL 6018, blue RAL 5015, orange RAL 2004. Satin finish. Press-fit assembly, easily removable.

On request, customization with other colours, logo and/or graphics, for suitable quantities.

### **Remarks**

On request, for small/medium quantities, we execute threaded holes for fixing the crank handle on the shaft or keyways.

### **Package**

1 - 5 - 10 pcs.