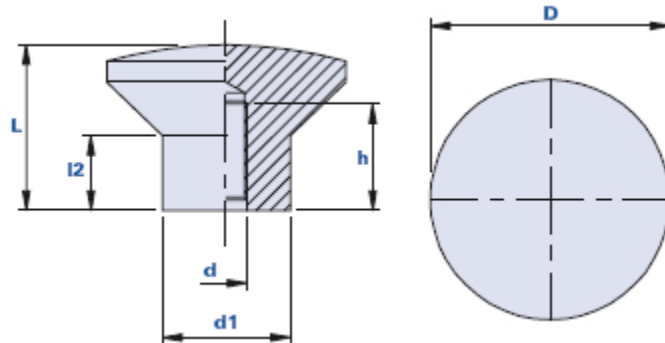


## Fixed knob with blind threaded hole



Code	Description	Dimensions				Hole		Weight grams	Stock
		D	L	d1	l2	d	h		
01IC1C	IC1/44 M6	44	31	24	14	M6	20	36	√
01IC1D	IC1/44 M8	44	31	24	14	M8	20	33	√
01IC1E	IC1/44 M10	44	31	24	14	M10	20	31	√
01IC1F	IC1/44 M12	44	31	24	14	M12	20	32	√

### Material

High resistance phenolyc-based (PF) duroplast.

Resistant to organic and inorganic chemical substances such as oils, greases, fuels and solvents.

### Colour

Black with shiny finish.

### Threading

Directly obtained from the plastic material.

### Package

25 - 50 - 100 pcs.