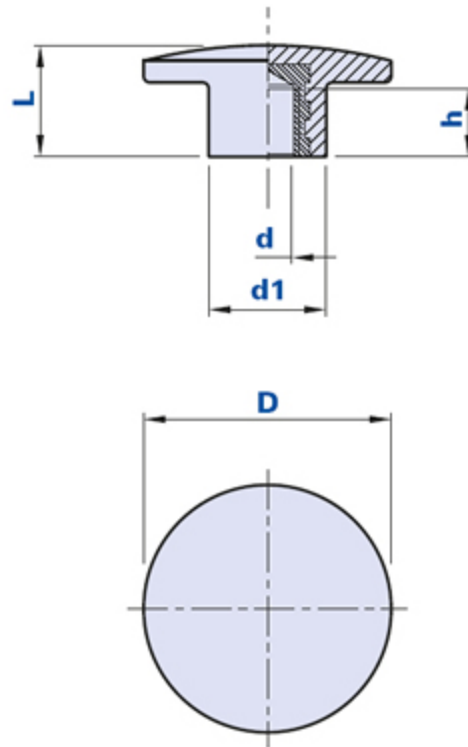


Stop emergency button



Code	Description	Dimensions			Insert		Weight grams	Stock
		D	L	d1	d	h		
01ICPD	ICP/40 M8	40	18	24	M8	10	19,5	-
01ICPE	ICP/40 M10	40	18	24	M10	11	20,4	√

Material

Polyamide-based (PA) technopolymer. Resistant to organic and inorganic chemical substances such as oils, greases, fuels and solvents.

Colour

Red RAL 3020.

Insert

Brass. Special inserts on design on request, for suitable quantities.

Package

100 pcs.