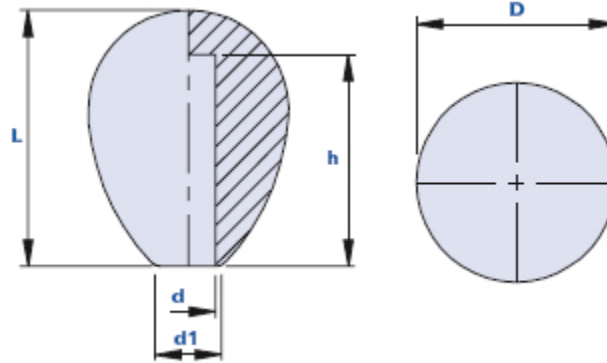


Oval knob with smooth blind hole



Code	Description	Dimensions			Hole		Weight grams	Stock
		D	L	d1	d	h		
01IO36C	IO 36 d.5,5	36	46	18	5,5	38	32	√
01IO36D	IO 36 d.7,5	36	46	18	7,5	38	31	√
01IO36E	IO 36 d.9,5	36	46	18	9,5	38	31	√
01IO36F	IO 36 d.11,5	36	46	18	11,5	38	30	√
01IO40D	IO 40 d.7,5	40	46	22	7,5	38	42	-
01IO40E	IO 40 d.9,5	40	46	22	9,5	38	41	-
01IO40F	IO 40 d.11,5	40	46	22	11,5	38	40	-

Material

Propylene-based (PP) technopolymer. Resistant to organic and inorganic chemical substances such as oils, greases, fuels and solvents.

Colour

Black with satin finish.

Other colours for suitable quantities.

Assembly

Press-fit, hole directly obtained from the plastic material.

Package

25 - 50 - 100 pcs.