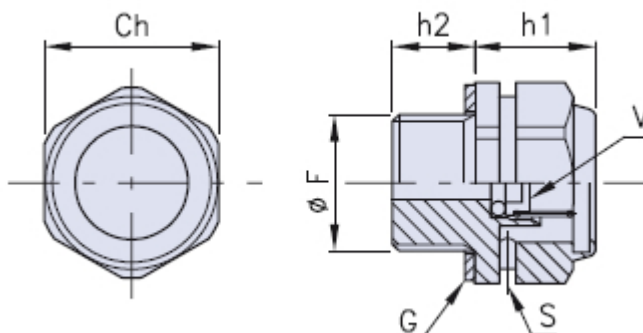


Metal filler plug with vent valve

METAL



G = Fiber seal
S = Breather hole
V = One-way check valve

| Code | Dimensions | | | | Stock |
|----------|------------|----|----|----|-------|
| | F | Ch | h1 | h2 | |
| 01KMV-14 | G 1/4" | 18 | 13 | 9 | - |
| 01KMV-38 | G 3/8" | 22 | 14 | 10 | - |
| 01KMV-12 | G 1/2" | 27 | 14 | 10 | - |

Materials

Brass plug.

Asbestos-free flat washer seal or aluminium, upon request.

Description

Breather and filler plug. Good vent capacity by means of two breather holes located under the hexagon.

This version is used when only an outside venting is needed, in case of an internal overpressure: the check valve (controlled by a spring set at 0.4 bar) allows the venting.

It also prevents the entry of impurities inside the housing and the oil spillage outside, compatibly with the work conditions and the kind of oil which is used.

Package

KMV-12: 50 pcs.

KMV-14/38: 100 pcs.