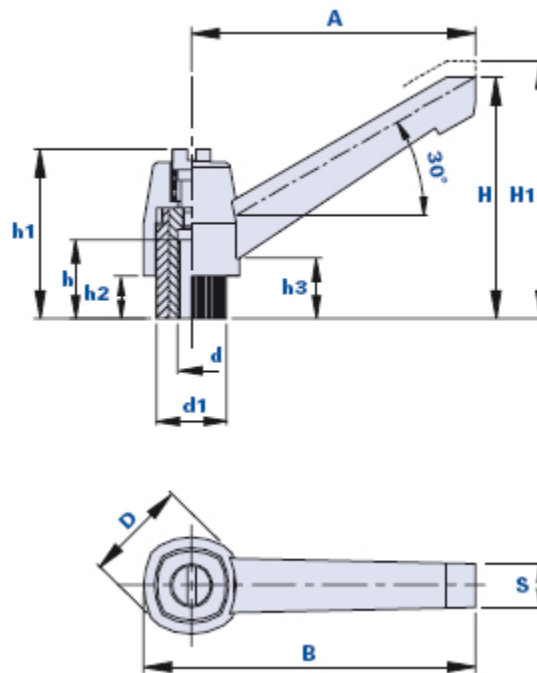


## Adjustable clamping lever with threaded bush



Code	Description	Dimensions										Insert		Weight grams	Stock
		A	B	D	S	H	H1	h1	h3	d1	h2	d	h		
0140B	KP-B 40 M5	40	48,3	18,6	8,5	39	42,5	31,5	13	12	7	M5	12	22	√
0140C	KP-B 40 M6	40	48,3	18,6	8,5	39	42,5	31,5	13	12	7	M6	14	14	√
0155C	KP-B 55 M6	55	65	22	9	49	53	37	14,5	15	10	M6	14	26	√
0155D	KP-B 55 M8	55	65	22	9	49	53	37	14,5	15	10	M8	14	24	√
0179D	KP-B 79 M8	80	93,5	29	11,5	68	72,5	48	18	20	12	M8	20	56	√
0179E	KP-B 79 M10	80	93,5	29	11,5	68	72,5	48	18	20	12	M10	20	55	√
0179F	KP-B 79 M12	80	93,5	29	11,5	68	72,5	48	18	20	12	M12	20	57	√
01100F	KP-B 100 M12	102	119	38	17	85	89,5	60	22	25	12	M12	25	113	√
01100N	KP-B 100 M14	102	119	38	17	85	89,5	60	22	25	12	M14	25	124	√
01100P	KP-B 100 M16	102	119	38	17	85	89,5	60	22	25	12	M16	18	119	√
0140BA	KP-B 40 M5 RAL 2004	40	48,3	18,6	8,5	39	42,5	31,5	13	12	7	M5	12	22	-
0140CA	KP-B 40 M6 RAL 2004	40	48,3	18,6	8,5	39	42,5	31,5	13	12	7	M6	14	14	-
0155CA	KP-B 55 M6 RAL 2004	55	65	22	9	49	53	37	14,5	15	10	M6	14	26	-
0155DA	KP-B 55 M8 RAL 2004	55	65	22	9	49	53	37	14,5	15	10	M8	14	24	-
0179DA	KP-B 79 M8 RAL 2004	80	93,5	29	11,5	68	72,5	48	18	20	12	M8	20	56	-
0179EA	KP-B 79 M10 RAL 2004	80	93,5	29	11,5	68	72,5	48	18	20	12	M10	20	55	-
0179FA	KP-B 79 M12 RAL 2004	80	93,5	29	11,5	68	72,5	48	18	20	12	M12	27	57	-

### Clamping element and lever material

Polyamide-based (PA) technopolymer. Resistant to organic and inorganic chemical substances such as oils, greases, fuels and solvents.

**Clamping lever colour**

Black, orange RAL 2004. Satin finish.  
Other colours for suitable quantities.

**Clamping element colour**

Black.

**Bush**

Galvanized steel. Special inserts on design and/or in brass on request, for suitable quantities.

**Return spring**

Burnished steel.

**Stop screw**

Galvanized steel. It can be used for the assembly of the lever with nut-runner.

**Package**

10 - 50 - 100 pcs.