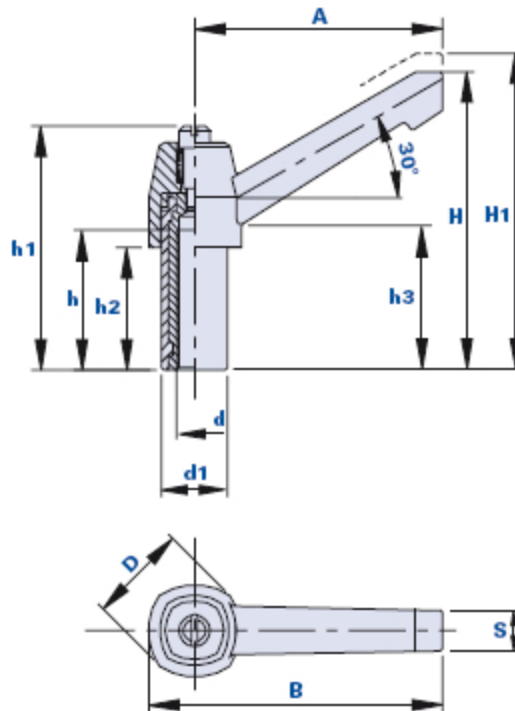


# KP-BA



## Adjustable clamping lever with threaded bush and high hub



Code	Description	Dimensions										Insert		Weight grams	Stock
		A	B	D	S	H	H1	h1	h3	d1	h2	d	h		
0140BS	KP-BA 40 M5	40	48,3	18,6	8,5	49,5	53	42	30,5	12	175	M5	20	22	-
0155DS	KP-BA 55 M8	55	65	22	9	66	60	54	41,5	14,6	27	M8	31	24	√

### Clamping element and lever material

Polyamide-based (PA) technopolymer. Resistant to organic and inorganic chemical substances such as oils, greases, fuels and solvents.

### Clamping lever colour

Black with satin finish. Other colours for suitable quantities.

### Clamping element colour

Black.

### Bush

Brass. Special inserts on design and/or in nickel-plated brass on request, for suitable quantities.

### Return spring

Burnished steel.

### Stop screw

Galvanized steel, it can be used for the assembly of the lever with nut-runner.

### Package

10 - 50 - 100 pcs.



Thenar Srl - Via della Costituzione, 66 - 42015 Correggio (RE) Italy

Tel. +39 0522 740511 - Fax +39 0522 740555 - info@thenar.it - www.thenar.it

THENAR models are reserved property under the law - Non-reproducible drawings unless the source is cited.

