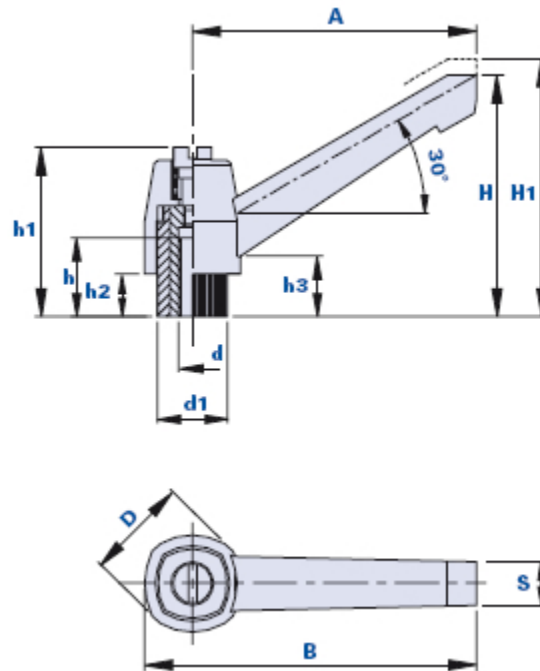


KP-BN



Adjustable clamping lever with threaded bush in nickel-plated brass



Code	Description	Dimensions										Insert		Weight grams	Stock
		A	B	D	S	H	H1	h1	h3	d1	h2	d	h		
0140CN	KP-BN 40 M6	40	48,3	18,6	8,5	39	42,5	31,5	13	12	7	M6	12	19	√
0155DN	KP-BN 55 M8	55	65	22	9	49	53	37	14,5	15	10	M8	14	25	√
0179DN	KP-BN 79 M8	80	93,5	29	11,5	68	72,5	48	18	20	12	M8	20	44	√
0179EN	KP-BN 79 M10	80	93,5	29	11,5	68	72,5	48	18	20	12	M10	20	56	√

Clamping element and lever material

Polyamide-based (PA) technopolymer. Resistant to organic and inorganic chemical substances such as oils, greases, fuels and solvents.

Clamping lever colour

Black with satin finish.
Other colours for suitable quantities.

Clamping element colour

Black.

Bush

Nickel-plated brass. Special inserts on design, on request, for suitable quantities.

Return spring

Stainless steel AISI 302.

Stop screw

Stainless steel AISI 304. It can be used for the assembly of the lever with nut-runner.



Package

10 - 50 - 100 pcs.