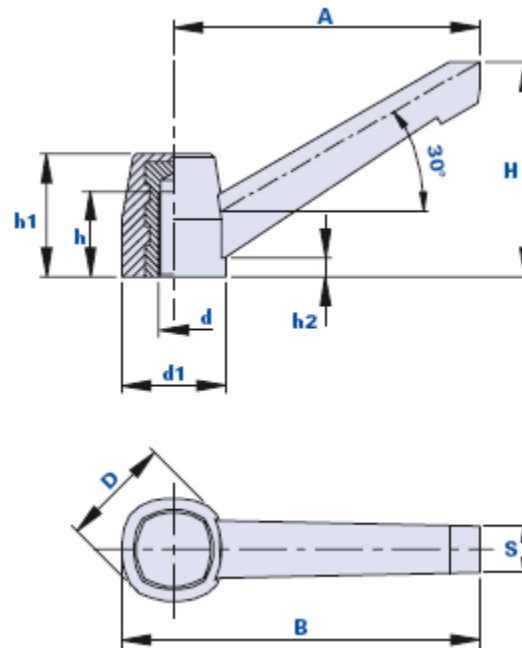


Fixed lever handle with blind threaded bush



Code	Description	Dimensions								Insert		Weight grams	Stock
		A	B	D	S	H	h1	h2	d1	d	h		
0140CR	KP-FB 40 M6	40	48	18	8,5	32	21	6	16,5	M6	11	11	√
0155CR	KP-FB 55 M6	55	65	22	9	39	23,5	5	20,5	M6	16	17	√
0155DR	KP-FB 55 M8	55	65	22	9	39	23,5	5	20,5	M8	16	18	√
0179DR	KP-FB 79 M8	80	93,5	29	11,5	56	32	5	27	M8	22	41	√
0179ER	KP-FB 79 M10	80	93,5	29	11,5	56	32	5	27	M10	22	42	√
0179FR	KP-FB 79 M12	80	93,5	29	11,5	56	32	5	27	M12	22	43	√
01100FR	KP-FB 100 M12	100	119	38	17	73	44	8	33	M12	28	115	√
01100NR	KP-FB 100 M14	100	119	38	17	73	44	8	33	M14	28	124	-
01100PR	KP-FB 100 M16	100	119	38	17	73	44	8	33	M16	28	130	√

Lever material

Polyamide-based (PA) technopolymer. Resistant to organic and inorganic chemical substances such as oils, greases, fuels and solvents.

Lever colour

Black with satin finish.
Other colours for suitable quantities.

Bush

Brass. Special inserts on design and/or nickel-plated brass on request, for suitable quantities.

Package

10 - 50 - 100 pcs.