

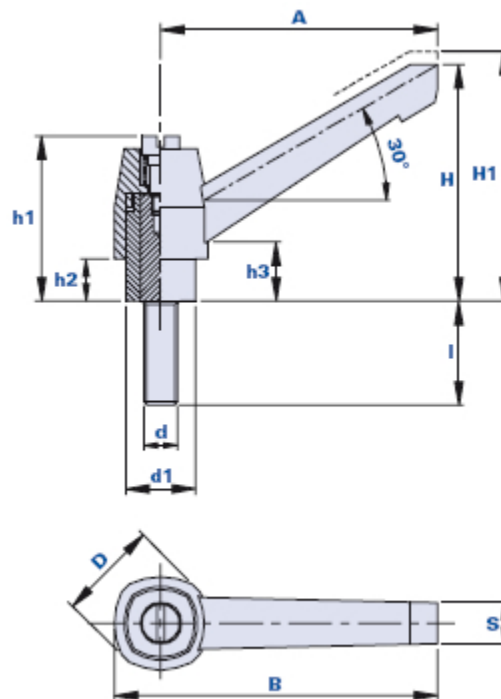
## Adjustable clamping lever with stainless steel threaded pin

inox

PA

-100  
-30

RoHS



Code	Description	Dimensions										Insert		Weight grams	Stock
		A	B	D	S	H	H1	h1	h3	d1	h2	d	l		
0140C15X	KP-PX 40 M6x15	40	48,3	18,6	8,5	39	42,5	31,5	13	12	13	M6	15	19	√
0140C20X	KP-PX 40 M6x20	40	48,3	18,6	8,5	39	42,5	31,5	13	12	13	M6	20	20	√
0140C25X	KP-PX 40 M6x25	40	48,3	18,6	8,5	39	42,5	31,5	13	12	13	M6	25	22	√
0140C30X	KP-PX 40 M6x30	40	48,3	18,6	8,5	39	42,5	31,5	13	12	13	M6	30	25	√
0155D15X	KP-PX 55 M8x15	55	65	22	9	49	53	37	14,5	15	14,5	M8	15	33	√
0155D20X	KP-PX 55 M8x20	55	65	22	9	49	53	37	14,5	15	14,5	M8	20	35	√
0155D25X	KP-PX 55 M8x25	55	65	22	9	49	53	37	14,5	15	14,5	M8	25	37	√
0155D30X	KP-PX 55 M8x30	55	65	22	9	49	53	37	14,5	15	14,5	M8	30	38	√
0155D35X	KP-PX 55 M8x35	55	65	22	9	49	53	37	14,5	15	14,5	M8	35	41	√
0155D40X	KP-PX 55 M8x40	55	65	22	9	49	53	37	14,5	15	14,5	M8	40	44	-
0155D50X	KP-PX 55 M8x50	55	65	22	9	49	53	37	14,5	15	14,5	M8	50	47	-
0155D55X	KP-PX 55 M8x55	55	65	22	9	49	53	37	14,5	15	14,5	M8	55	51	-
0155D60X	KP-PX 55 M8x60	55	65	22	9	49	53	37	14,5	15	14,5	M8	60	49	√
0179E20X	KP-PX 79 M10x20	80	93,5	29	11,5	68	72,5	48	18	20	18	M10	20	74	√
0179E25X	KP-PX 79 M10x25	80	93,5	29	11,5	68	72,5	48	18	20	18	M10	25	77	√
0179E30X	KP-PX 79 M10x30	80	93,5	29	11,5	68	72,5	48	18	20	18	M10	30	80	√
0179E40X	KP-PX 79 M10x40	80	93,5	29	11,5	68	72,5	48	18	20	18	M10	40	87	√
0179F25X	KP-PX 79 M12x25	80	93,5	29	11,5	68	72,5	48	18	20	18	M12	25	91	√
0179F30X	KP-PX 79 M12x30	80	93,5	29	11,5	68	72,5	48	18	20	18	M12	30	94	√
0179F35X	KP-PX 79 M12x35	80	93,5	29	11,5	68	72,5	48	18	20	18	M12	35	97	√
0179F40X	KP-PX 79 M12x40	80	93,5	29	11,5	68	72,5	48	18	20	18	M12	40	100	-
0179F50X	KP-PX 79 M12x50	80	93,5	29	11,5	68	72,5	48	18	20	18	M12	50	106	-

---

---

**Clamping element and lever material**

Polyamide-based (PA) technopolymer. Resistant to organic and inorganic chemical substances such as oils, greases, fuels and solvents.

**Clamping lever colour**

Black with satin finish.

Other colours for suitable quantities.

**Clamping element colour**

Black.

**Stud bolt**

Stainless steel AISI 303. Special inserts on design and/or in nickel-plated brass, on request for suitable quantities.

**Return spring**

Stainless steel AISI 302.

**Stop screw**

Stainless steel AISI 304. It can be used for the assembly of the lever with nut-runner.

**Package**

10 - 50 - 100 pcs.