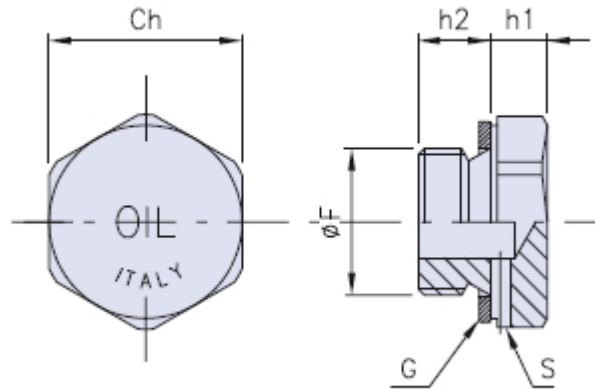


## Metal oil filler plug with breather hole

**METAL**



G = Fiber seal  
S = Breather hole

Code	Dimensions				Stock
	F	Ch	h1	h2	
01M/TCNS-14	G 1/4"	19	10	7	-
01M/TCNS-38	G 3/8"	22	10	7	-
01M/TCNS-12	G 1/2"	27	10	8	-
01M/TCNS-34	G 3/4"	34	10	8	-
01M/TCNS-1	G 1"	40	14	8	-

### Material

Aluminium alloy 11S.  
Asbestos-free flat washer seal or aluminium, upon request.

### Description

Hex head closure and breather plug.

### Notes

The plugs are supplied with OIL text.

### Confezione

M/TCNS-34/1: 50 pcs.  
M/TCNS-14/38/12: 100 pcs.