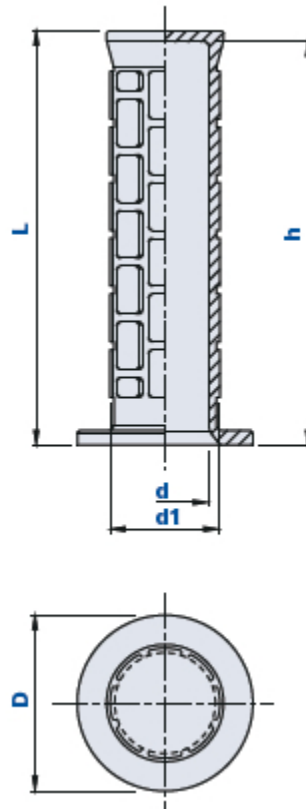


M1611BP

VAL-PA

Grip handle in PVC with hand-guard



Code	Description	Dimensions			Hole		Weight grams	Stock
		L	D	d1	d	h		
10M1611BP2200	M1611BP D.22	113	48	30	22	109	49,8	√
10M1611BP2400	M1611BP D.24	113	48	30	24	109	41	√

Material

Polyvinylchloride-based (PVC) technopolymer. Resistant to organic and inorganic chemical substances such as oils, greases, fuels and solvents.

Colour

Black. Other colours for suitable quantities.

Assembly

Press-fit.

Package

100 pcs.