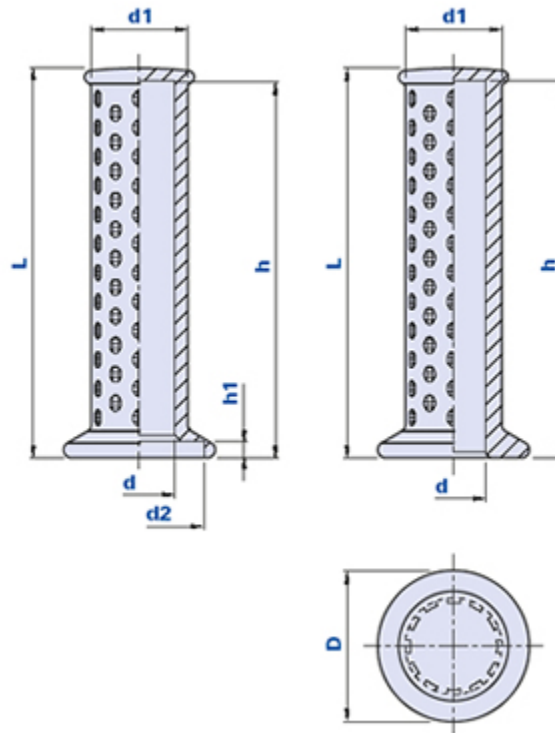


M1678BP

VAL-PA

Grip handle in PVC with hand-guard



Code	Description	Dimensions					Hole		Weight grams	Stock
		L	D	d1	d2	h1	d	h		
10M1678BP2200	M1678BP D.22	121	47	30	-	-	22	117	62,5	√
10M1678BP2400	M1678BP D.24	121	47	30	40	5	24	117	48,2	√

Material

Polyvinylchloride-based (PVC) technopolymer. Resistant to organic and inorganic chemical substances such as oils, greases, fuels and solvents.

Colour

Black. Other colours for suitable quantities.

Assembly

Press-fit.

Package

100 pcs.