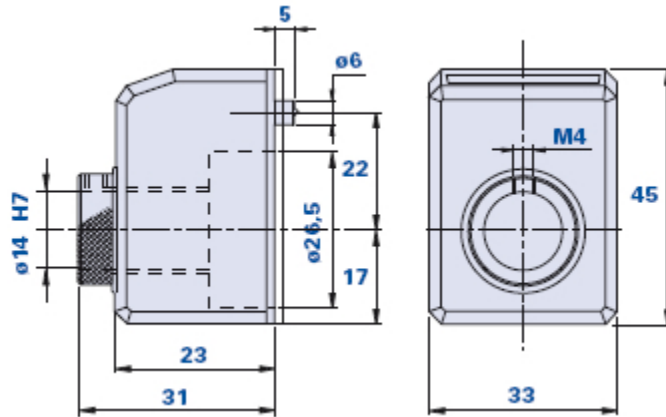


# MD30FN



## Digital position indicator MD 30-FN



Description	Black colour code	Stock	Orange colour code	Stock	Grey colour code	Stock	Weight grams
MD 30 FN 0,5 SX	01MD305270	-	01MD305272	-	01MD305274	-	38
MD 30 FN 0,5 DX	01MD305269	-	01MD305271	-	01MD305273	-	38
MD 30 FN 1,0 SX	01MD30562	-	01MD30564	-	01MD30566	-	38
MD 30 FN 1,0 DX	01MD30561	-	01MD30563	-	01MD30565	-	38
MD 30 FN 1,5 SX	01MD30568	-	01MD30570	-	01MD30572	-	38
MD 30 FN 1,5 DX	01MD30567	-	01MD30569	-	01MD30571	-	38
MD 30 FN 2,0 SX	01MD30574	-	01MD30576	-	01MD30578	-	38
MD 30 FN 2,0 DX	01MD30573	-	01MD30575	-	01MD30577	-	38
MD 30 FN 2,5 SX	01MD305320	-	01MD305286	-	01MD305288	-	38
MD 30 FN 2,5 DX	01MD305319	-	01MD305285	-	01MD305287	-	38
MD 30 FN 3,0 SX	01MD30580	-	01MD30582	-	01MD30584	-	38
MD 30 FN 3,0 DX	01MD30579	-	01MD30581	-	01MD30583	-	38
MD 30 FN 4,0 SX	01MD30586	-	01MD30588	-	01MD30590	-	38
MD 30 FN 4,0 DX	01MD30585	-	01MD30587	-	01MD30589	-	38
MD 30 FN 5,0 SX	01MD305134	-	01MD305136	-	01MD305138	-	38
MD 30 FN 5,0 DX	01MD305133	-	01MD305135	-	01MD305137	-	38
MD 30 FN 6,0 SX	01MD305158	-	01MD30146	-	01MD305160	-	38
MD 30 FN 6,0 DX	01MD305157	-	01MD30145	-	01MD305159	-	38
MD 30 FN 7,5 SX	01MD305179	-	01MD305181	-	01MD305183	-	38
MD 30 FN 7,5 DX	01MD305178	-	01MD305180	-	01MD305182	-	38
MD 30 FN 8,0 SX	01MD305308	-	01MD305310	-	01MD305312	-	38
MD 30 FN 8,0 DX	01MD305307	-	01MD305309	-	01MD305311	-	38
MD 30 FN 10,0 SX	01MD305201	-	01MD305203	-	01MD305205	-	38

MD 30 FN 10,0 DX	01MD305200	-	01MD305202	-	01MD305204	-	38
MD 30 FN 12,0 SX	01MD305224	-	01MD305226	-	01MD305228	-	38
MD 30 FN 12,0 DX	01MD305223	-	01MD305225	-	01MD305227	-	38

### Housing

Technopolymer resistant to mineral oils, greases, saturated hydrocarbons (benzines), alkaline solutions, diluted acids, saline solutions.

### Reading

Four figure counter (3 unities in black colour and 1 decimal in red colour, with the exception of the pitch 0,5 that shows 2 unities in black colour and 2 decimals in red colour). The lenticular window improves the readability, numbers 4 mm high.

### Available colours

- Black RAL 9011 with shiny finish.
- Orange RAL 2004 with shiny finish.
- Grey RAL 7035 with shiny finish.

### Assembly

With pressure screw, head with hexagonal hollow, flat end.

### Bush

Burnished steel with standard hole  $\varnothing$  14 H7. Special inserts in stainless steel AISI 303, on request for suitable quantities.

### Positioning

By means of the back reference pin.

### Gasket

Closed-cells black polyurethane with adhesive.