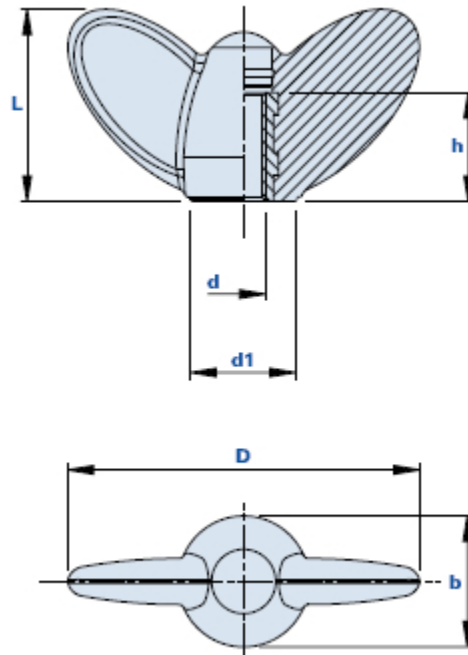


Wing nut with pass-through threaded bush



How to order wing nut with cap:

Example: wing nut code 01MMF47B with yellow cap = code 01MMF47B-G

Black cap:	Yellow cap:	Red cap:	Green cap:	Blue cap:	Orange cap:
Cod. + N	Cod. + G	Cod. + R	Cod. + V	Cod. + B	Cod. + A

The code below shows the product code without cap.

Code	Description	Dimensions				Insert		Weight grams	Stock
		D	L	d1	b	d	h		
01MMF47B	MMF47 M5	47	26	14	17,5	M5	14	7	√
01MMF47C	MMF47 M6	47	26	14	17,5	M6	12	9	√
01MMF47D	MMF47 M8	47	26	14	17,5	M8	9,5	12	√

Material

Polyamide-based (PA) technopolymer. Resistant to organic and inorganic chemical substances such as oils, greases, fuels and solvents.

Colour

Black with satin finish.
Other colours for suitable quantities.

Insert

Brass. Special inserts on design and/or in stainless steel, on request for suitable quantities.

Cap on request

Bush-cover cap black RAL 7021, orange RAL 2004, yellow RAL 1021, red RAL 3020, green RAL 6018, blue RAL 5015. Satin finish. Press-fit assembly.

On request, customization with other colours, logo and/or graphics, for suitable quantities.

Package

25 - 100 - 200 pcs.