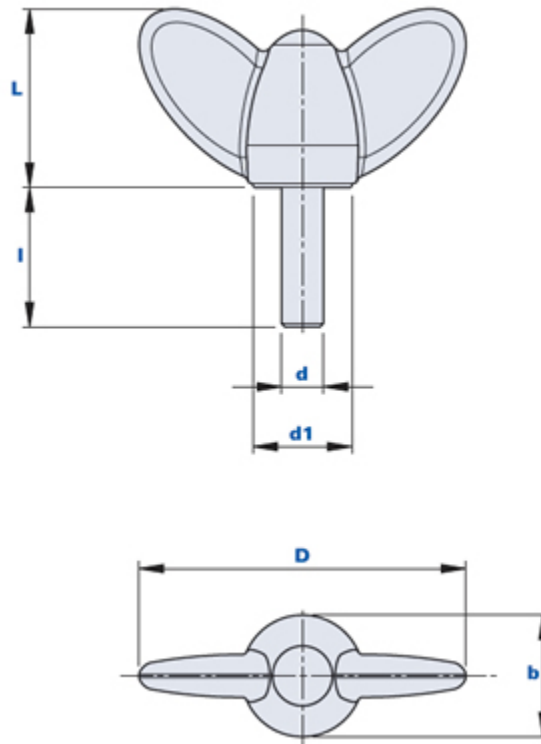


## Wing nut with threaded pin



### How to order:

Example: wing nut code 01MMP47C10 with yellow cap = code 01MMP47C10-G

Black cap:	Yellow cap:	Red cap:	Green cap:	Blue cap:	Orange cap:
Cod. + <b>N</b>	Cod. + <b>G</b>	Cod. + <b>R</b>	Cod. + <b>V</b>	Cod. + <b>B</b>	Cod. + <b>A</b>

Code	Description	Dimensions				Insert		Weight grams	Stock
		D	L	d1	b	d	l		
01MMP47C10...	MMP47 M6x10	47	26	14	17,5	M6	10	11	-
01MMP47C15...	MMP47 M6x15	47	26	14	17,5	M6	15	12	√
01MMP47C20...	MMP47 M6x20	47	26	14	17,5	M6	20	13	√
01MMP47C25...	MMP47 M6x25	47	26	14	17,5	M6	25	14	√
01MMP47C30...	MMP47 M6x30	47	26	14	17,5	M6	30	15	√
01MMP47C40...	MMP47 M6x40	47	26	14	17,5	M6	40	16	√
01MMP47D10...	MMP47 M8x10	47	26	14	17,5	M8	10	18	-
01MMP47D15...	MMP47 M8x15	47	26	14	17,5	M8	15	20	√
01MMP47D20...	MMP47 M8x20	47	26	14	17,5	M8	20	21	√
01MMP47D25...	MMP47 M8x25	47	26	14	17,5	M8	25	23	√
01MMP47D30...	MMP47 M8x30	47	26	14	17,5	M8	30	25	√
01MMP47D40...	MMP47 M8x40	47	26	14	17,5	M8	40	27	√

**Material**

Polyamide-based (PA) technopolymer. Resistant to organic and inorganic chemical substances such as oils, greases, fuels and solvents.

**Colour**

Black with satin finish.  
Other colours for suitable quantities.

**Insert**

Galvanized steel. Special inserts on design and/or in brass/stainless steel, on request for suitable quantities.

**Cap**

Cap black RAL 7021, orange RAL 2004, yellow RAL 1021, red RAL 3020, green RAL 6018, blue RAL 5015. Satin finish. Press-fit assembly.

On request, customization with other colours, logo and/or graphics, for suitable quantities.

**Package**

25 - 100 - 200 pcs.