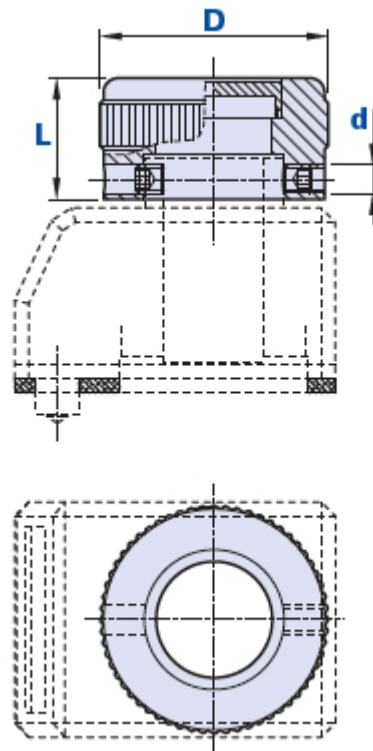


# MP30



## Knob for position indicator MD 30

METAL



### How to order:

Example: Knob code 01MP30 with yellow cap = code 01MP30-G

Black cap:	Yellow cap:	Red cap:	Green cap:	Blue cap:	Orange cap:
Cod. + <b>N</b>	Cod. + <b>G</b>	Cod. + <b>R</b>	Cod. + <b>V</b>	Cod. + <b>B</b>	Cod. + <b>A</b>

Code	Description	Dimensions			Weight grams	Stock
		L	D	d		
01MP30...	MP30 D.14	17	32	14	25	√

### Material

Aluminium.

### Colour

Anodized black.

### Assembly

On position indicator MD30 by means of pins included in the supply.

### Material of the cap

Polyamide-based (PA) technopolymer. Resistant to organic and inorganic chemical substances such as oils, greases, fuels and solvents.

### Cap



Thenar Srl - Via della Costituzione, 66 - 42015 Correggio (RE) Italy

Tel. +39 0522 740511 - Fax +39 0522 740555 - info@thenar.it - www.thenar.it

THENAR models are reserved property under the law - Non-reproducible drawings unless the source is cited.

Knob cover cap in black RAL 7021, yellow RAL 1021, red RAL 3020, green RAL 6018, blue RAL 5015, orange RAL 2004. Satin finish. Press-fit assembly, easily removable.

On request customization with other colours, logo and/or graphics, for suitable quantities.