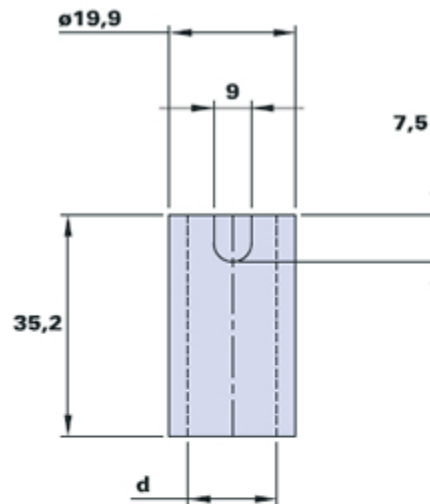


Adapter bush for position indicators MD30-MD50



Code	Description	Dimensions					Weight grams	Stock
		D	L	A	B	d		
01MR30E	MR D.10	13,9	26,5	5	6,6	10	2	√
01MR30F	MR D.12	13,9	26,5	5	6,6	12	1,5	√
01MR50E	MR D.10	19,9	35,2	6	7,5	10	10	√
01MR50F	MR D.12	19,9	35,2	6	7,5	12	9,5	√
01MR50G	MR D.14	19,9	35,2	6	7,5	14	9	-
01MR50H	MR D.15	19,9	35,2	6	7,5	15	8,7	-
01MR50I	MR D.16	19,9	35,2	6	7,5	16	8,5	-
01MR50L	MR D.17	19,9	35,2	6	7,5	17	8	-
01MR50M	MR D.18	19,9	35,2	6	7,5	18	7,5	-

Material

Polyamide-based (PA) technopolymer. Resistant to organic and inorganic chemical substances such as oils, greases, fuels and solvents.

Colour

Black.