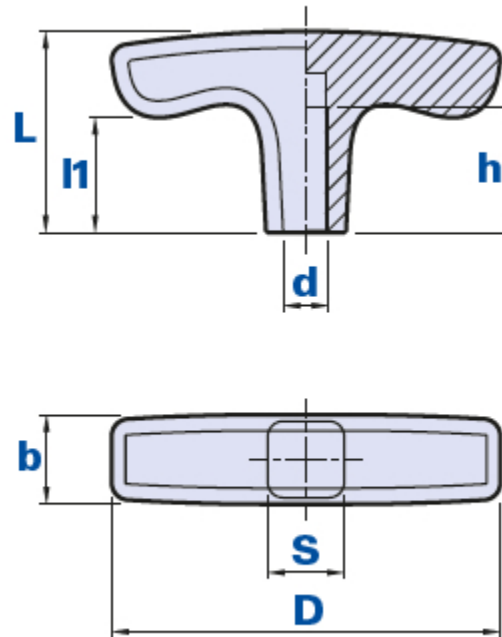


T handgrip with blind threaded hole



Code	Description	Dimensions					Hole		Weight grams	Stock
		D	b	L	l1	s	d	h		
01MT55C	MT 55 M6	56	14	32	19	13x13	M6	18	14	-
01MT55D	MT 55 M8	56	14	32	19	13x13	M8	22	16	√
01MT67C	MT 67 M6	68	16	35	19	15X15	M6	18	18	-
01MT67D	MT 67 M8	68	16	35	19	15X15	M8	22	16	-
01MT80D	MT 80 M8	81	20	39	20	18X18	M6	22	25	-
01MT80E	MT 80 M10	81	20	39	20	18X15	M10	25	24	√
01MT80F	MT 80 M12	81	20	39	20	18X18	M12	28	22	√

Material

Polyamide-based (PA) technopolymer. Resistant to organic and inorganic chemical substances such as oils, greases, fuels and solvents.

Colour

Black with satin finish.
Other colours for suitable quantities.

Threading

Directly obtained from the plastic material.

Package

25 - 50 - 100 pcs.